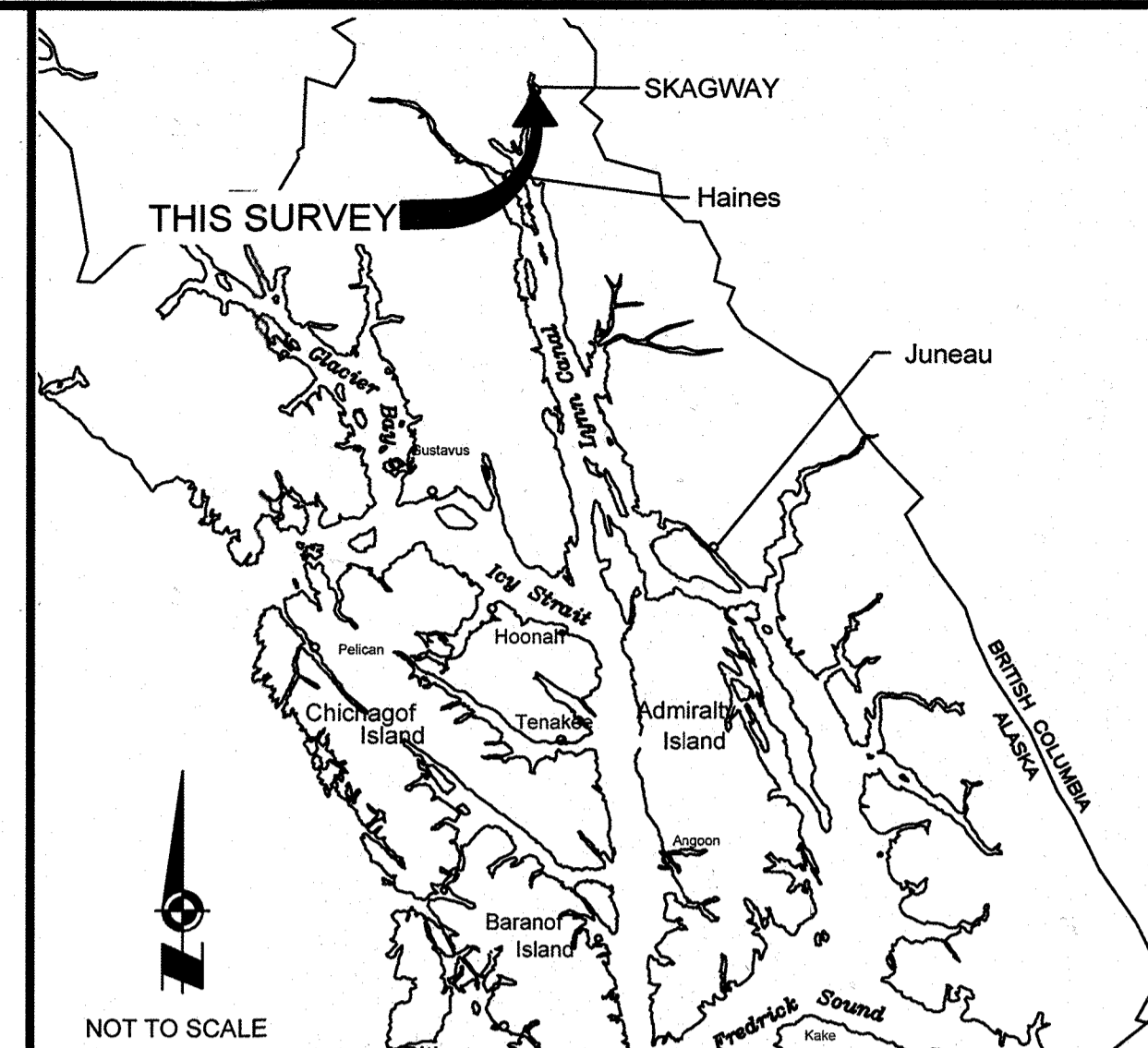
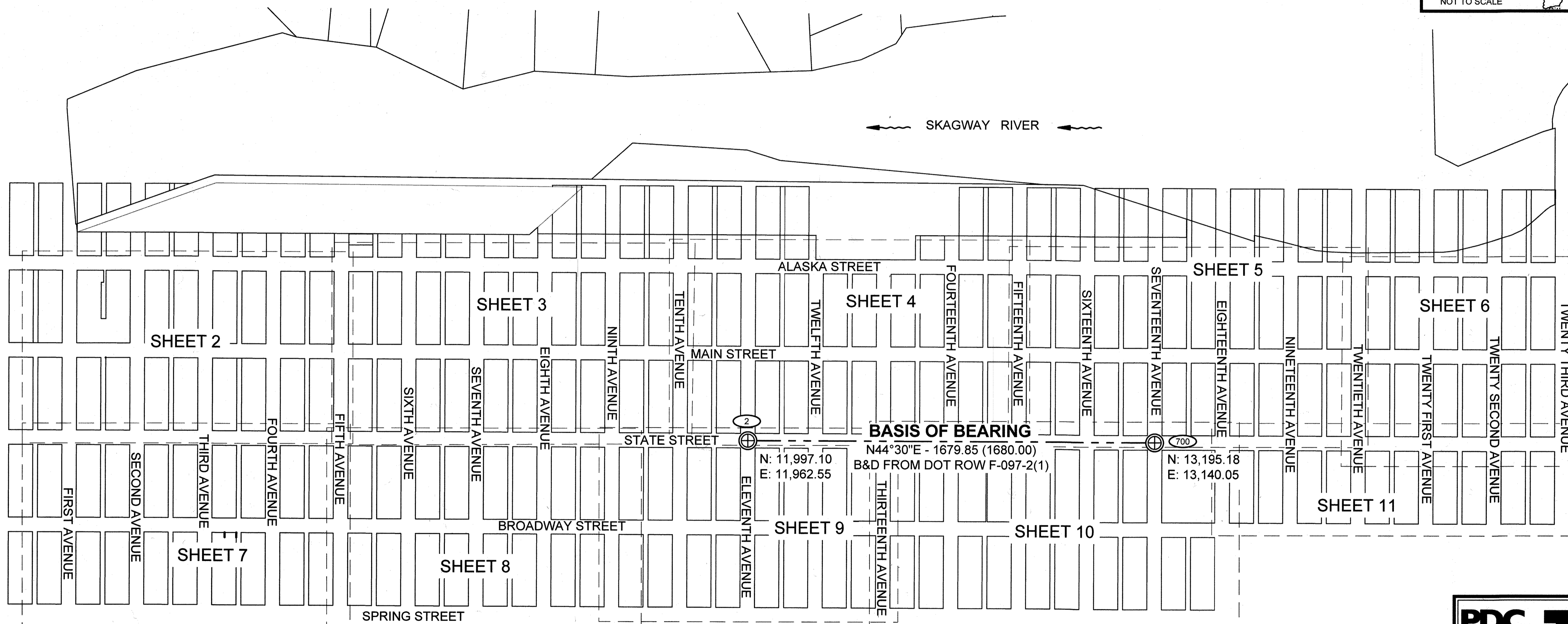


NOTES:

1. THE PURPOSE OF THIS RECORD OF SURVEY IS LOCATE AND MONUMENT THE ALLEY WAYS THROUGHOUT THE SKAGWAY TOWNSITE.
2. ALL DISTANCES AND DIMENSIONS ARE IN U.S. SURVEY FEET AND REDUCED TO THEIR HORIZONTAL VALUES.
3. THIS SURVEY WAS PERFORMED UTILIZING ON-THE-GROUND CONVENTIONAL TRIMBLE S-7 ROBOTICS TOTAL STATION WITH STANDARD LASER DISTANCE MEASURING TECHNIQUES.
4. THE ERROR OF CLOSURE OF THIS SURVEY DOES NOT EXCEED 1:5000.
5. THIS DRAWING IS BASED ON PDC FIELD SURVEY CONDUCTED SEPTEMBER 2020.
6. THE BASIS OF BEARING FOR THIS SURVEY IS THE RECORD BEARING OF N44°30'E BETWEEN CENTERLINE MONUMENTS NOTED, PLAT OF THE SUBDIVISIONAL SURVEY OF THE TOWNSITE OF SKAGWAY, KNOWN AS SURVEY No. 435, SITUATE ON TAIYA INLET, JUNEAU LAND DISTRICT, ALASKA.
7. PORTIONS OF THE SKAGWAY TOWNSITE ARE LOCATED WITHIN FRACTIONS OF AMENDED U.S. SURVEY No. 13 AND U.S. SURVEY No. 435. BLOCKS SHOWN WITHIN THE FRACTION OF AMENDED U.S. SURVEY No. 13 WERE DETERMINED USING PLAT 98-3.
8. COORDINATES SHOWN ON THIS RECORD OF SURVEY ARE A LOCAL SURVEY SYSTEM USING 10000N, 10000E AT CP-1, A DOT&PF CENTERLINE MONUMENT LOCATED AT THE INTERSECTION OF STATE STREET AND FIRST AVENUE.
9. THIS SURVEY DOES NOT CONSTITUTE A SUBDIVISION AS DEFINED BY AS 40.15.900(5).



VICINITY MAP

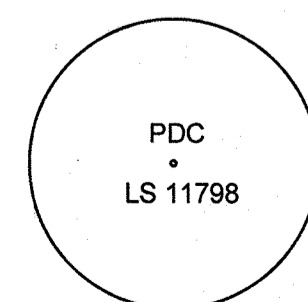
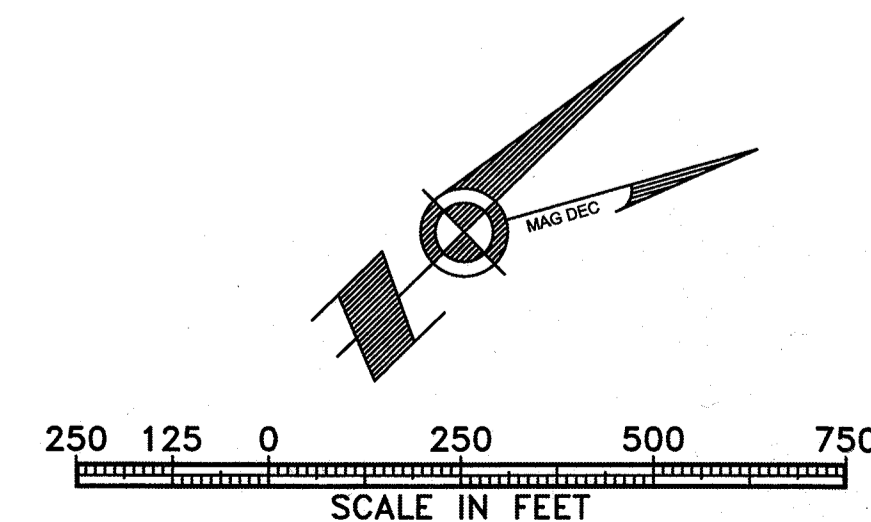


SURVEYOR'S CERTIFICATE

I HEREBY CERTIFY THAT I AM PROPERLY REGISTERED AND LICENSED TO PRACTICE LAND SURVEYING IN THE STATE OF ALASKA, THAT THIS PLAN REPRESENTS A SURVEY MADE BY ME OR UNDER MY DIRECT SUPERVISION, THE MONUMENTS SHOWN HEREON ACTUALLY EXIST AS DESCRIBED, AND THAT ALL DIMENSIONS AND OTHER DETAILS ARE CORRECT TO THE BEST OF MY KNOWLEDGE.

DATE 1/14/2021 REGISTRATION NO. LS-11798

CRAIG O. RANSON
REGISTERED LAND SURVEYOR



TYPICAL MONUMENT
(ESTABLISHED THIS SURVEY)
1" YELLOW PLASTIC CAP
ON A 5/8" x 30" REBAR

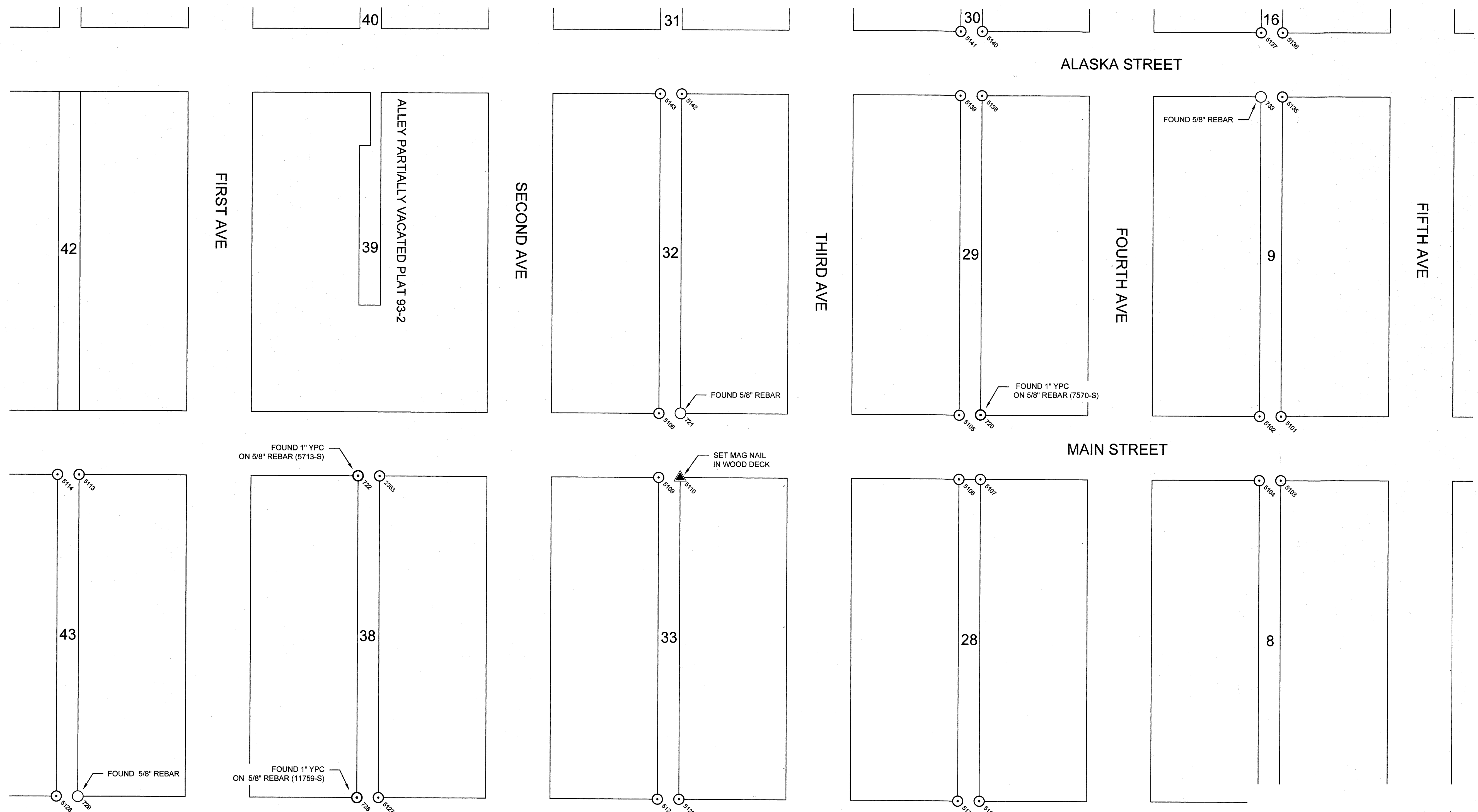
LEGEND

- FOUND AK DOT&PF CENTERLINE MONUMENT
- PROPERTY LINE
- SURVEY TIE LINE
- POINT NUMBER

	NAME OF SURVEYOR:
	PDC ENGINEERS 9109 Mendenhall Mall Rd Ste 4 Juneau, Alaska 99801 PH #: (907) 780-6060 CERT. OF AUTH. #: AECC605

RECORD OF SURVEY
MUNICIPALITY OF SKAGWAY
ALLEY MONUMENTATION
WITHIN THE TOWNSITE OF SKAGWAY, ALASKA

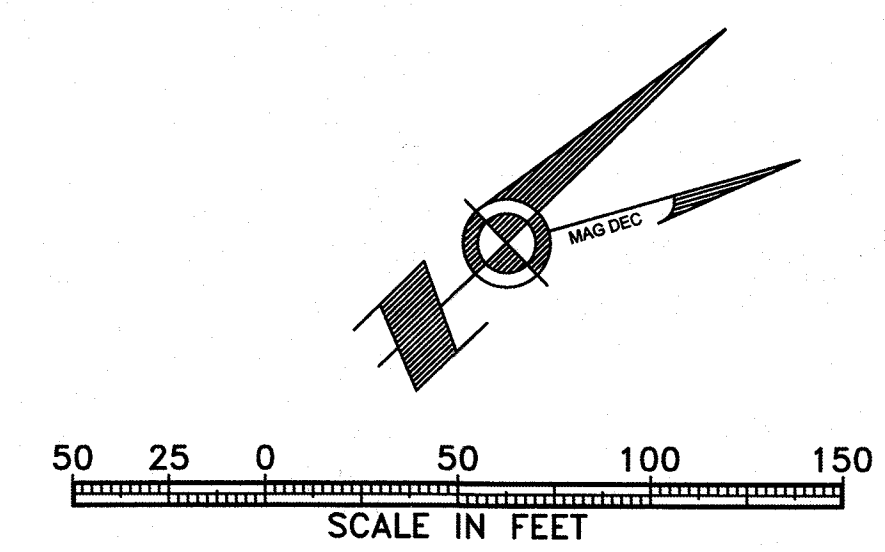
OWNER:	SCALE:
MUNICIPALITY OF SKAGWAY	SURVEYOR COR.
PO BOX 415	DRAWN EPV
SKAGWAY, ALASKA 99840	CHECKED COR.
	DATE 01/14/2021
SKAGWAY RECORDING DISTRICT	PROJECT NO. 20188JN
	SHEET NUMBER 1 OF 12



SEE SHEET 3

STATE STREET
SEE SHEET 7

FOUND AK DOT&PF
CENTERLINE MONUMENT



LEGEND

	FOUND PRIMARY CENTERLINE MONUMENT
	FOUND PLASTIC CAP
	FOUND REBAR
	SET MAG NAIL/SPIKE
	SET PLASTIC CAP ON 5/8" REBAR (11798-S)
---	PROPERTY LINE
	YPC YELLOW PLASTIC CAP DENOTES PDC POINT NUMBER (TYP.)

	NAME OF SURVEYOR:
	PDC ENGINEERS
	9109 Mendenhall Mall Rd Ste 4 Juneau, Alaska 99801 PH #: (907) 780-6060
	CERT. OF AUTH. #: AECC605

RECORD OF SURVEY MUNICIPALITY OF SKAGWAY ALLEY MONUMENTATION WITHIN THE TOWNSHIP OF SKAGWAY, ALASKA	
OWNER:	SCALE:
MUNICIPALITY OF SKAGWAY PO BOX 415 SKAGWAY, ALASKA 99840	SURVEYOR COR DRAWN EPV CHECKED COR DATE 01/14/2021
SKAGWAY RECORDING DISTRICT	PROJECT NO. 20188JN SHEET NUMBER 2 OF 12

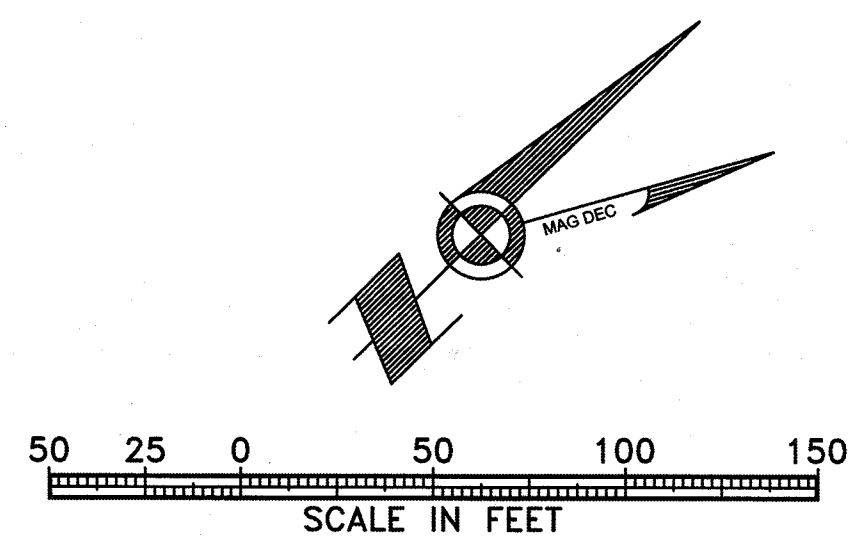
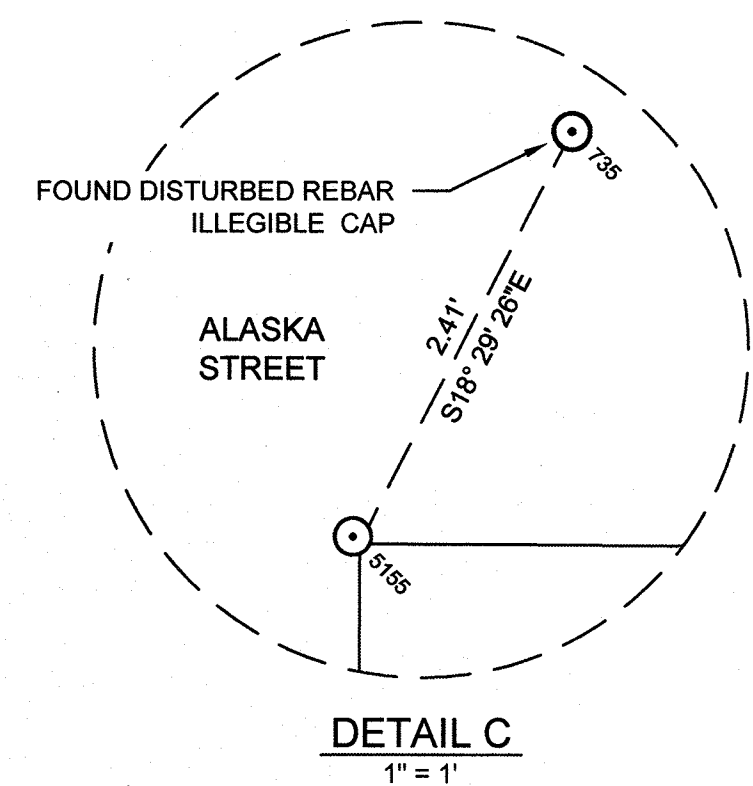
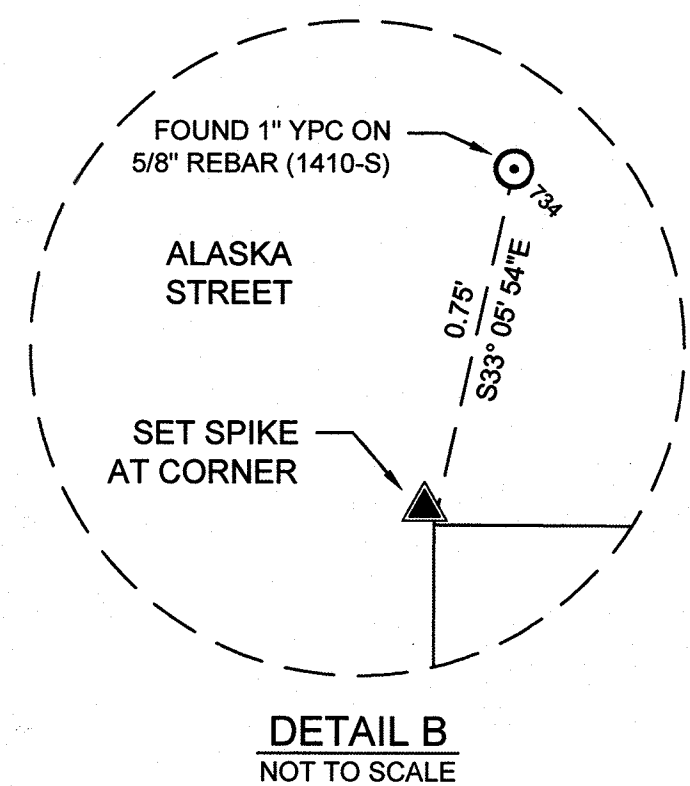
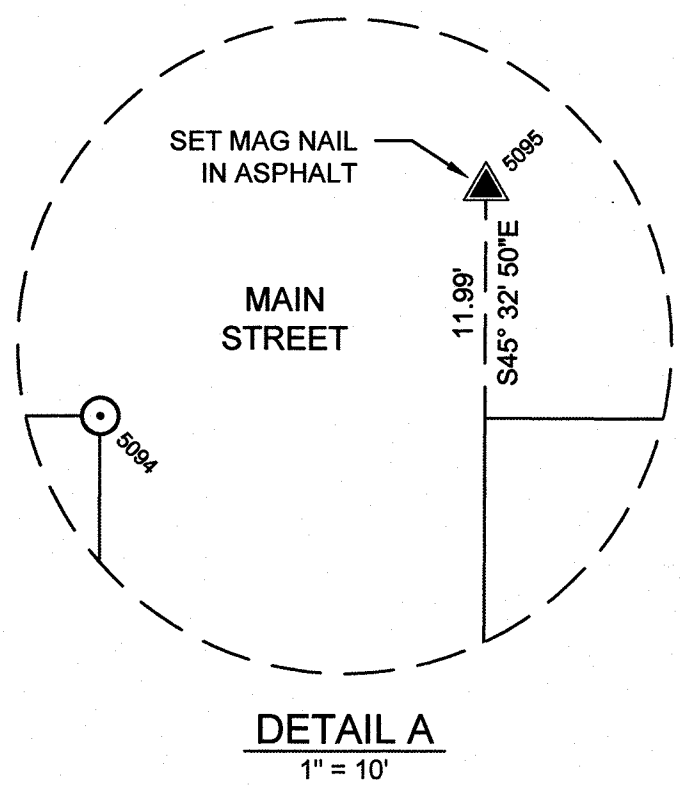
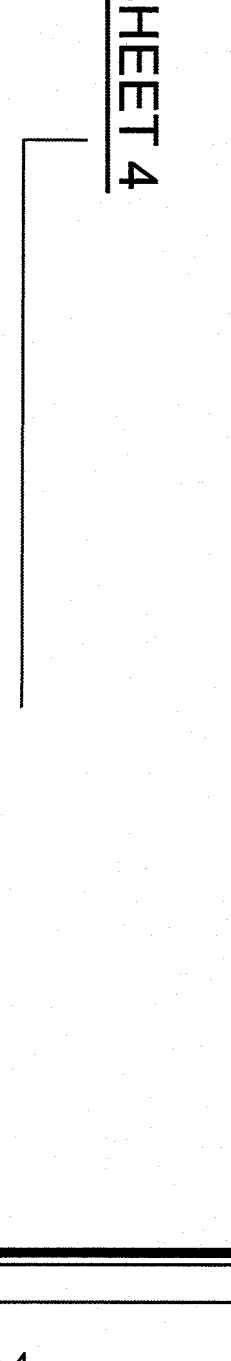
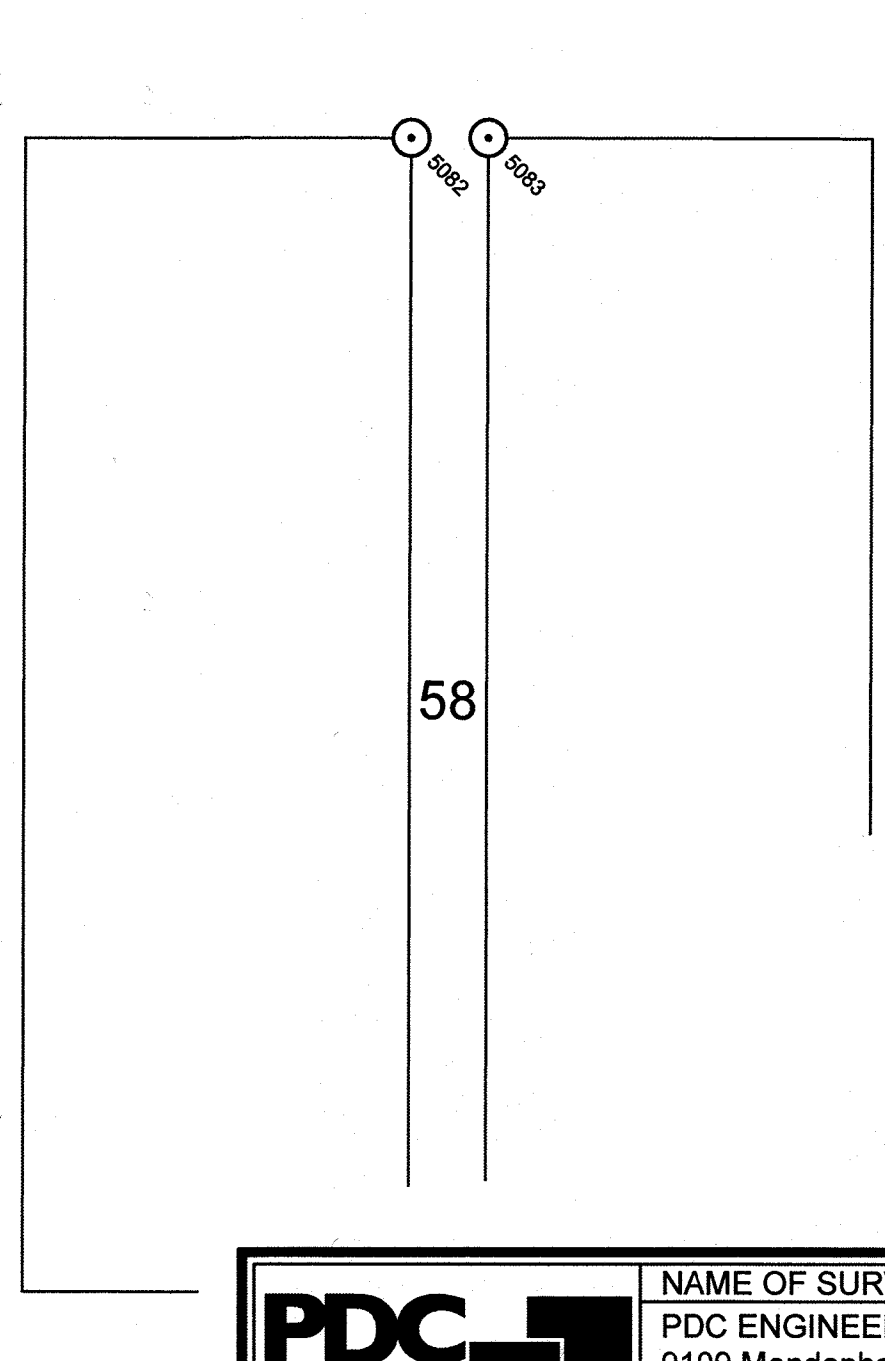
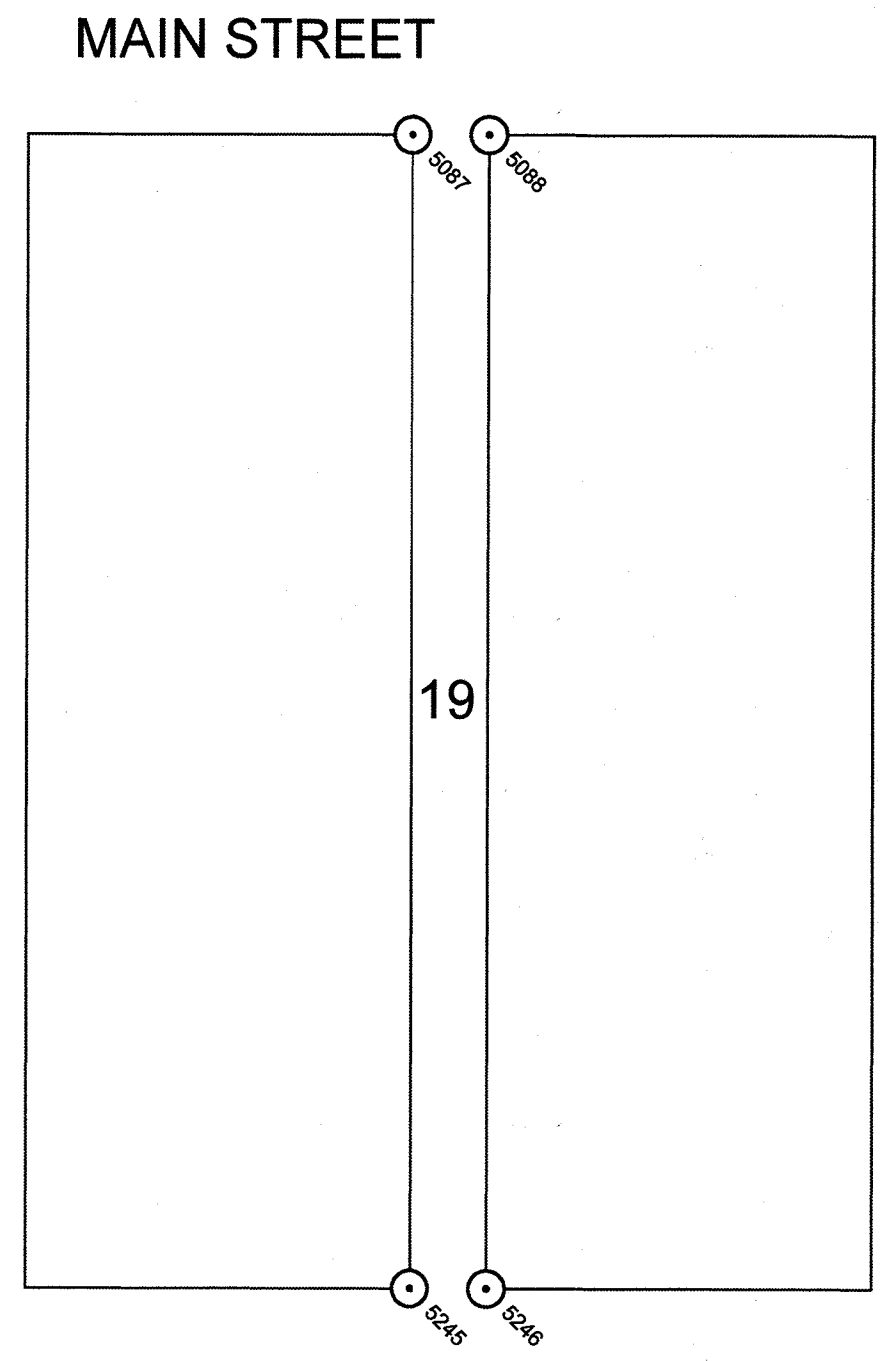
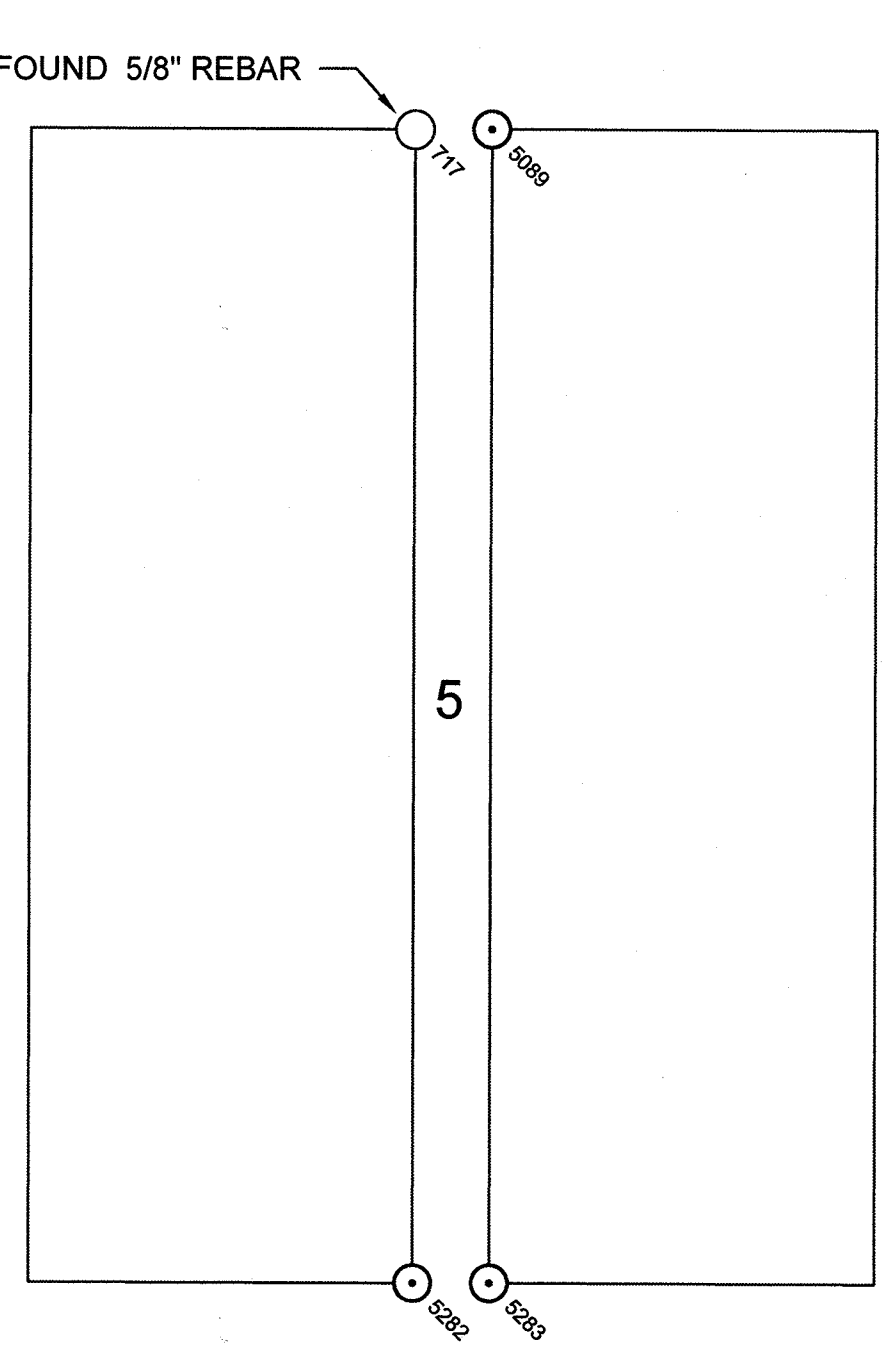
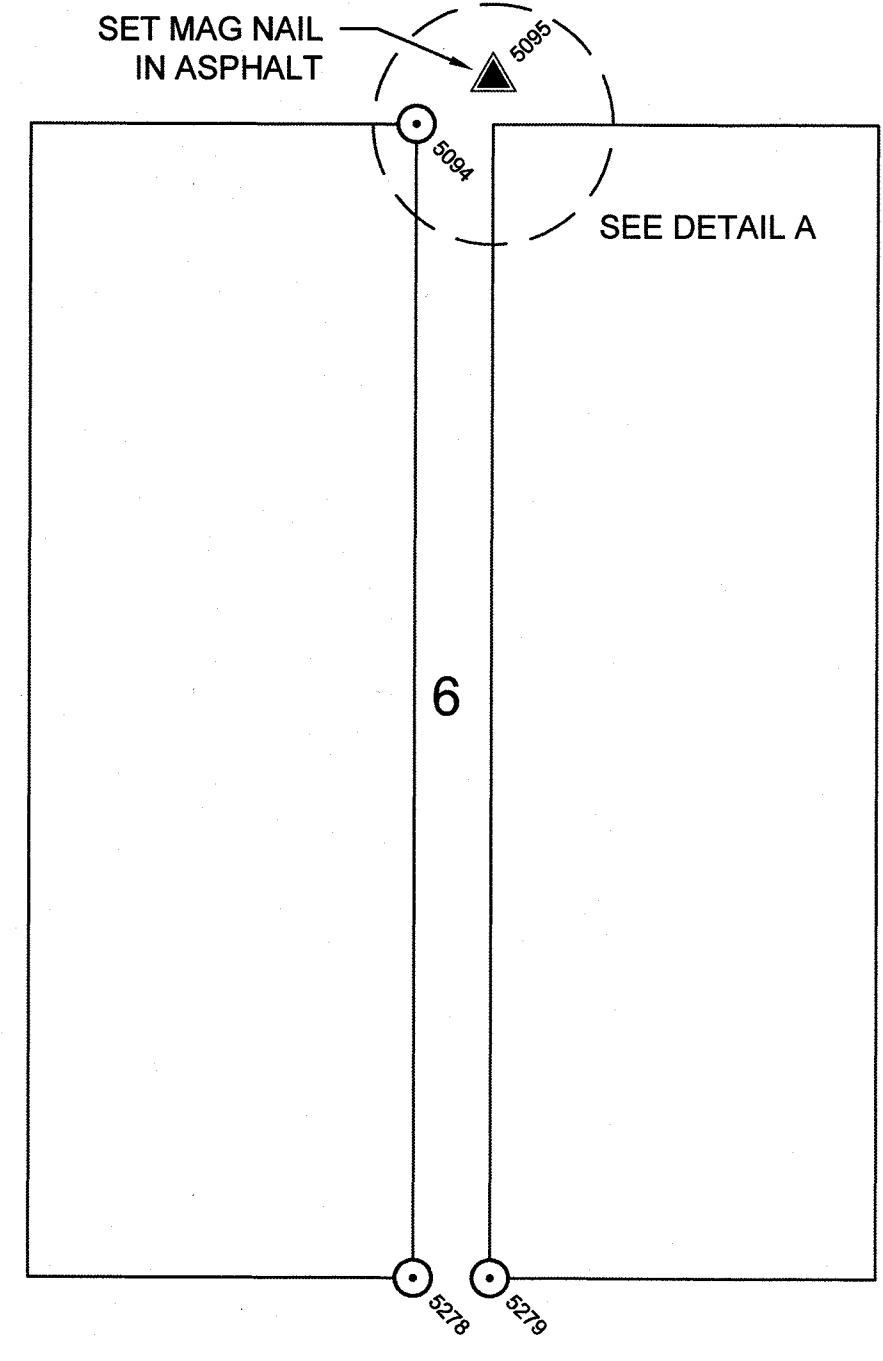
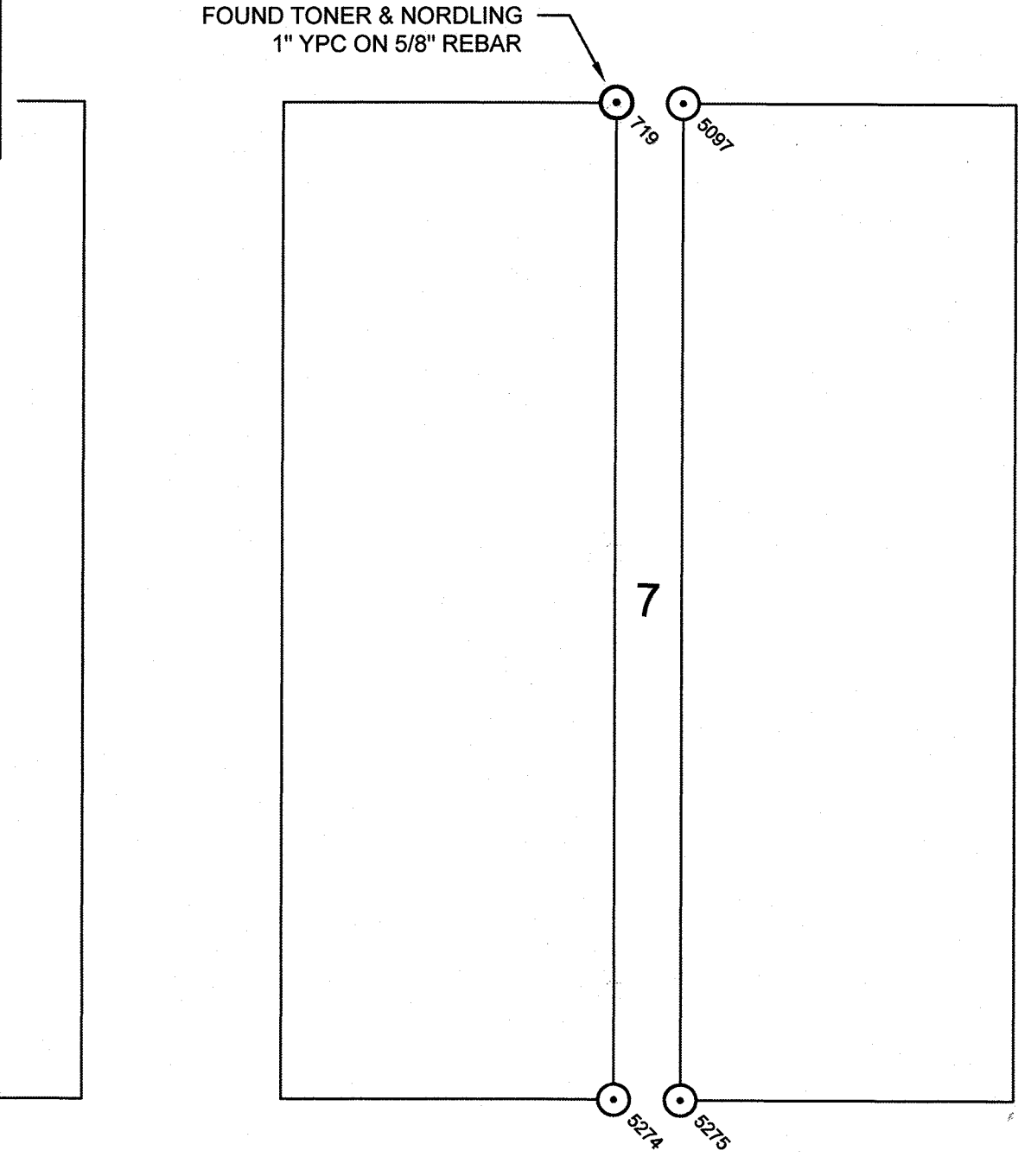
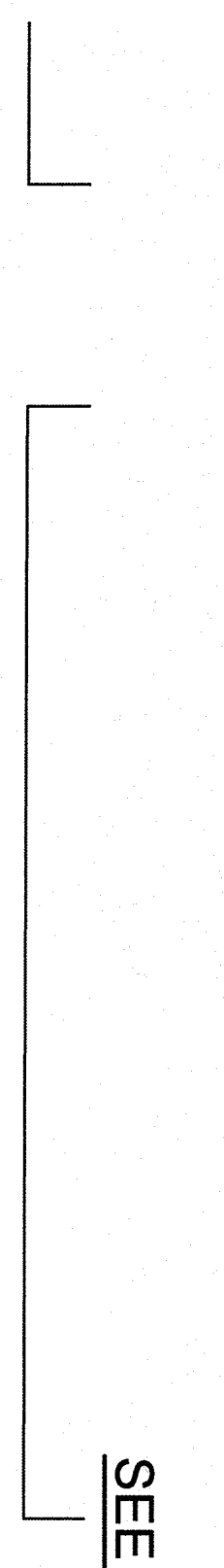
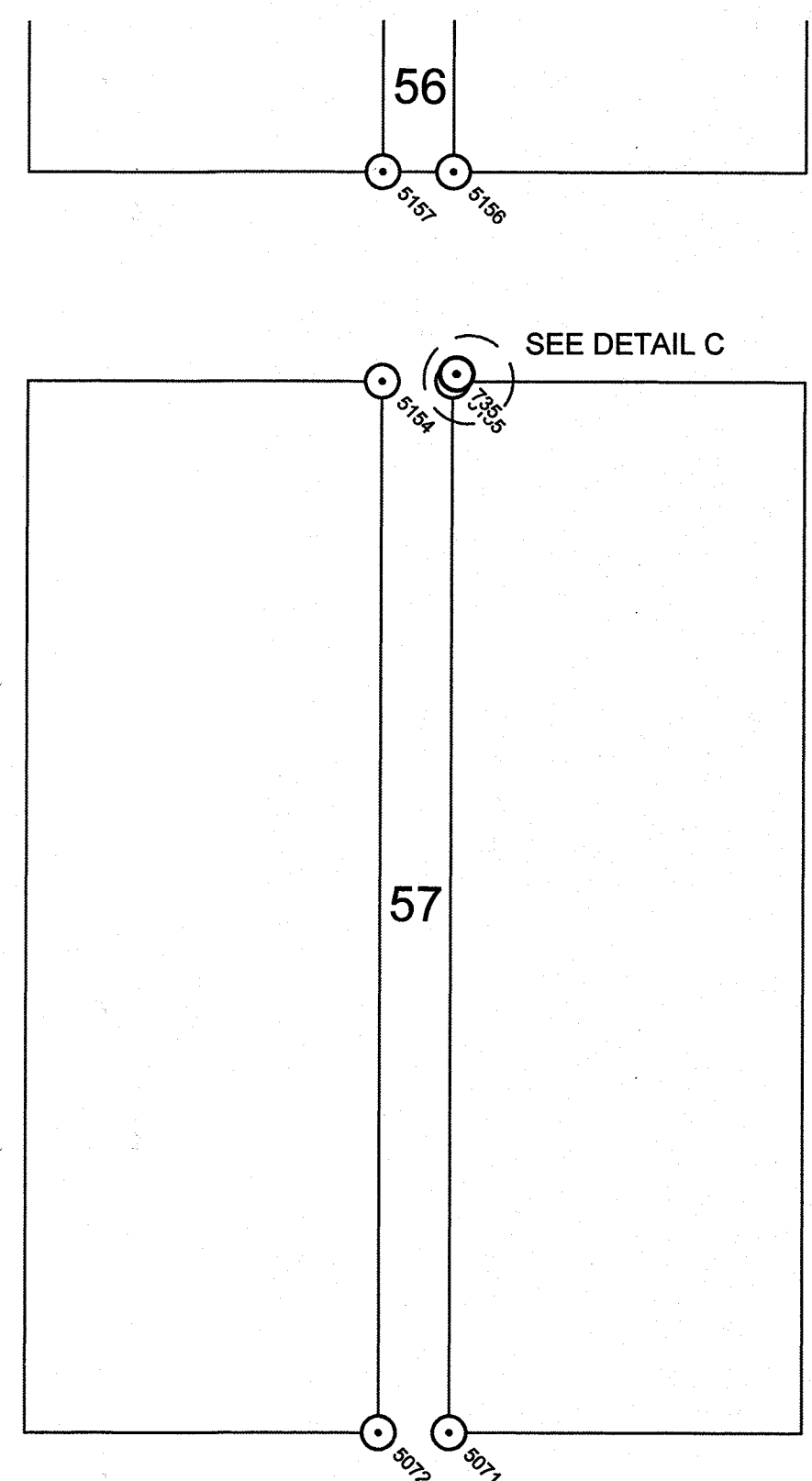
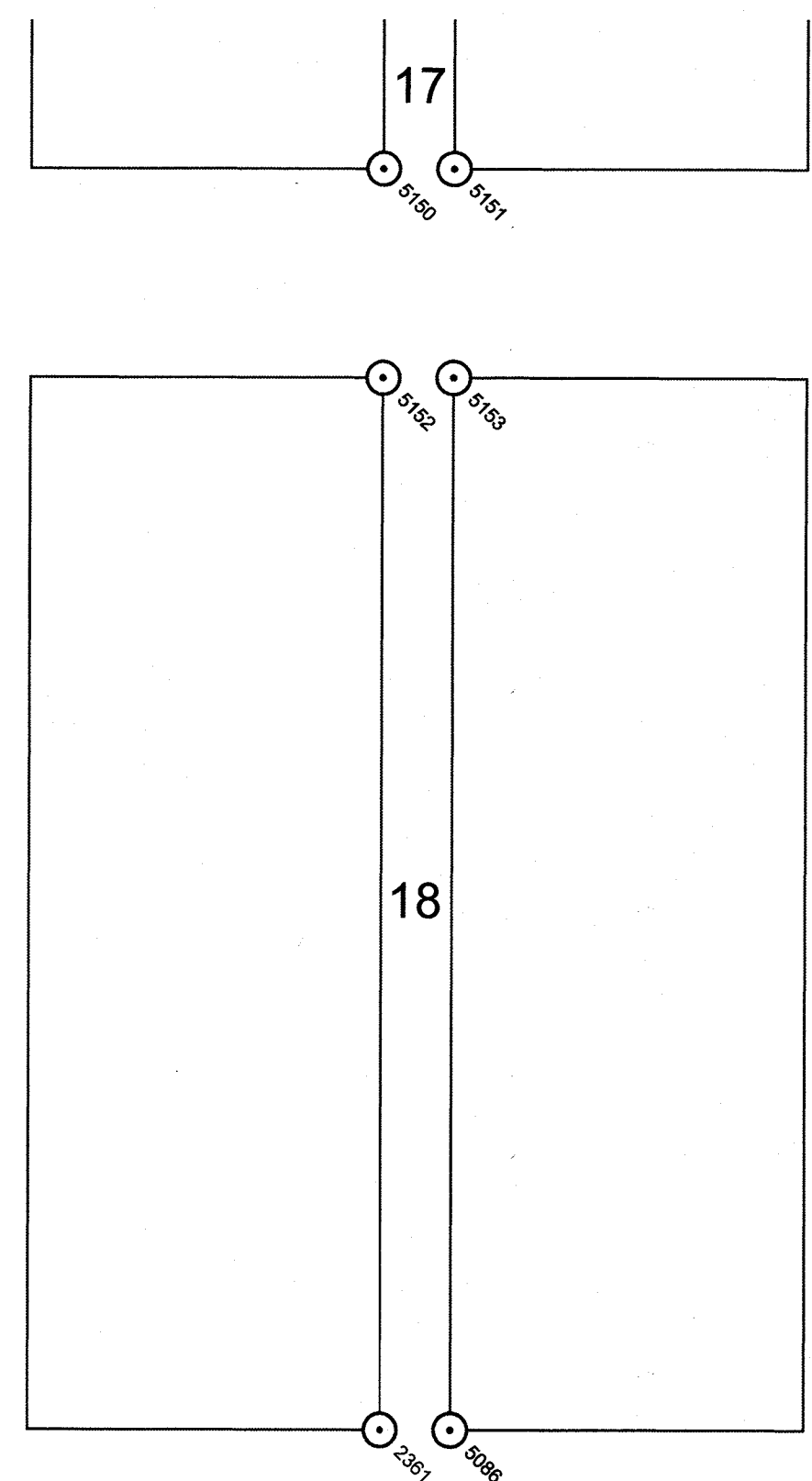
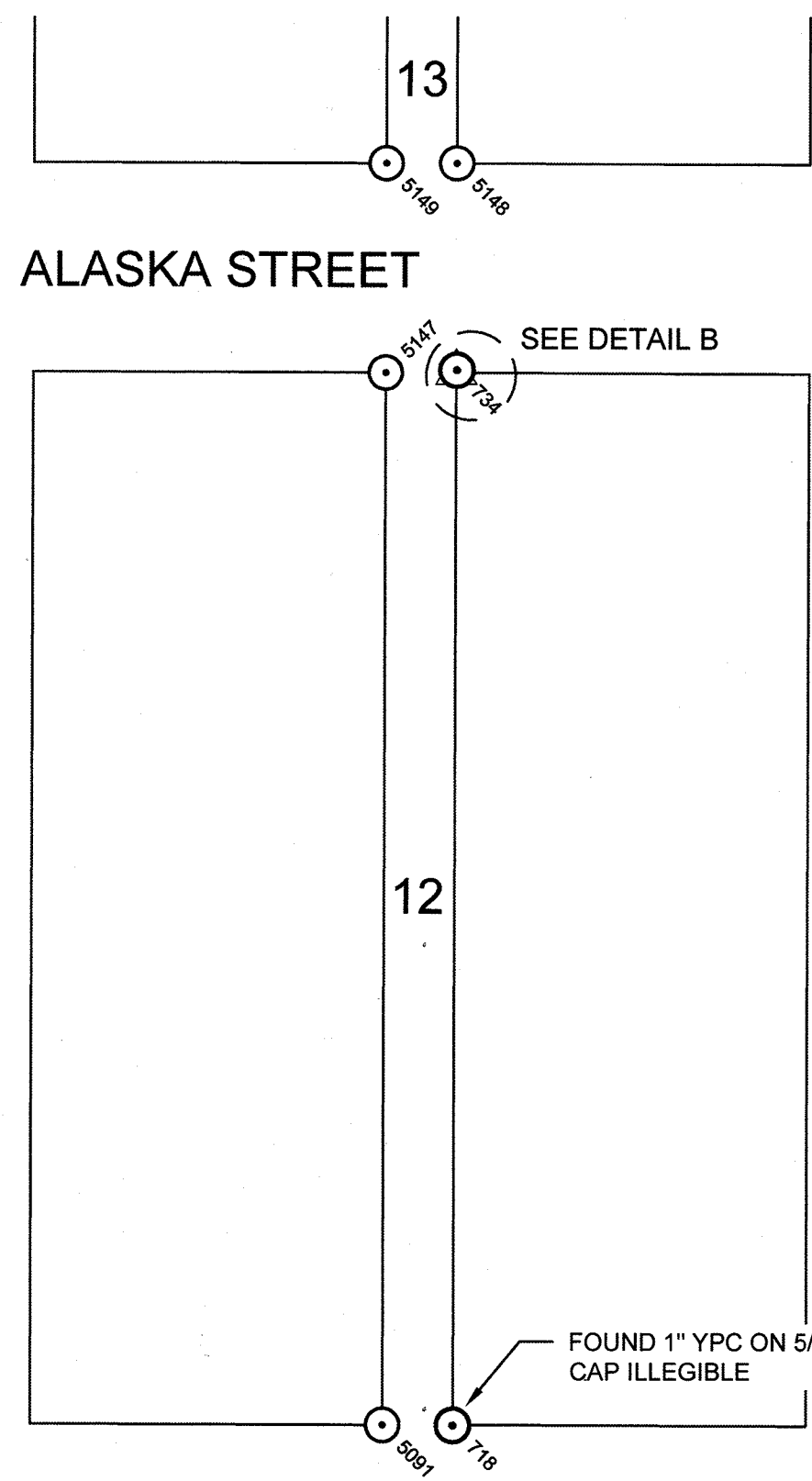
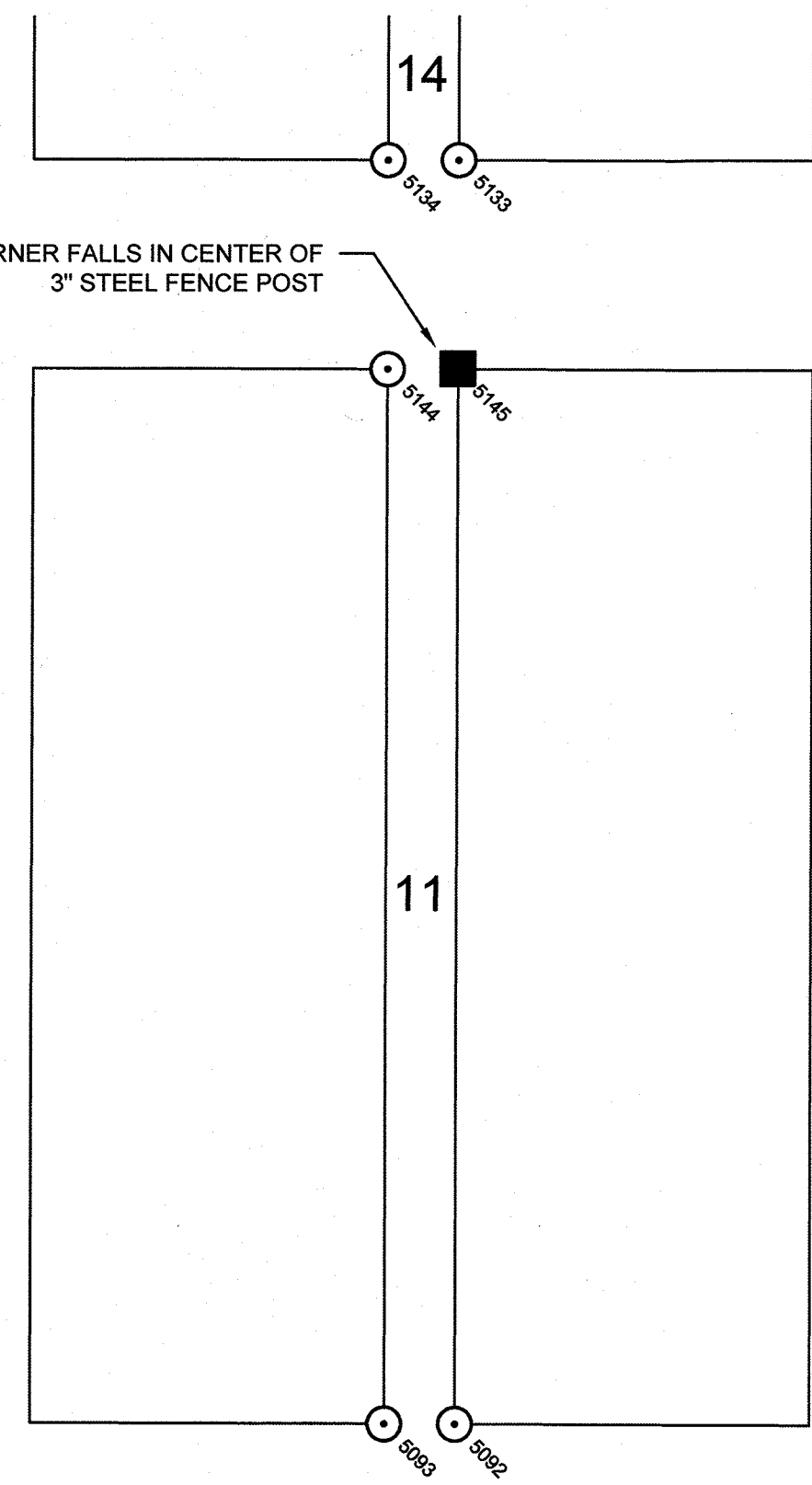
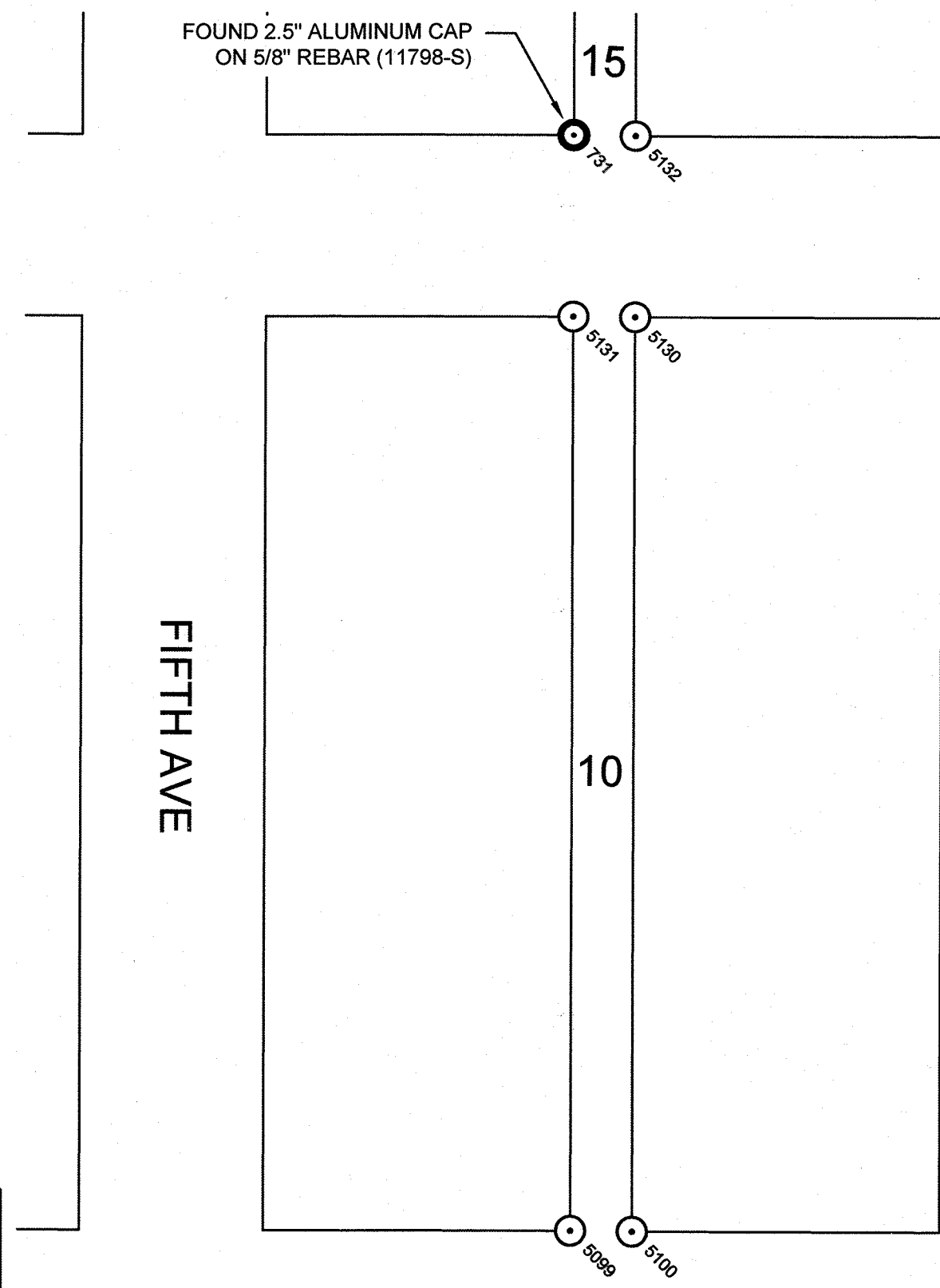
C:\Users\mehar\OneDrive\Desktop\Temp\pdc\skagway_2017\REF-AD05-2018\N.2_01142021_1147.mxd

SEE SHEET 2

SEE SHEET 4

ALASKA STREET

STATE STREET
SEE SHEET 8



LEGEND

	FOUND MAG NAIL/SPIKE/PIN
	FOUND PLASTIC CAP
	FOUND REBAR
	FOUND ALUMINUM CAP ON REBAR
	SET MAG NAIL/SPIKE
	SET PLASTIC CAP ON 5/8" REBAR (11798-S)
	FENCE POST
	PROPERTY LINE
	SURVEY TIE LINE
	YELLOW PLASTIC CAP
	DENOTES PDC POINT NUMBER (TYP.)

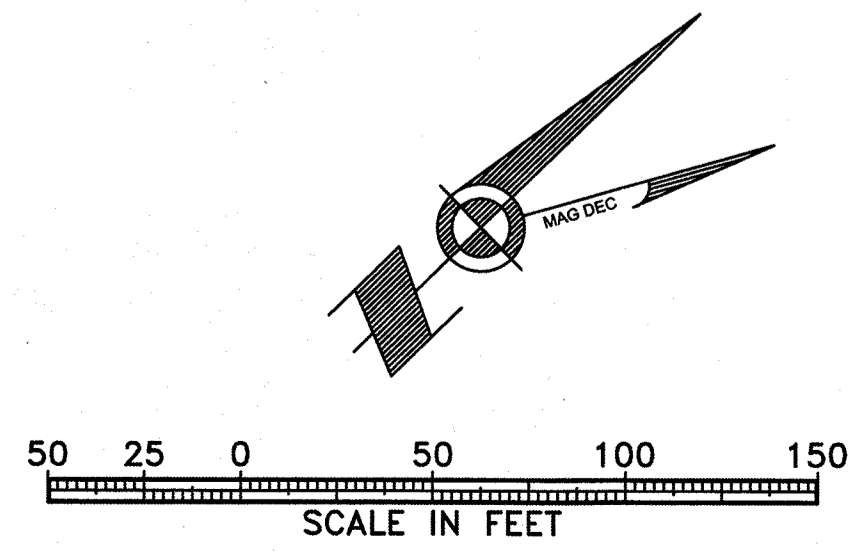
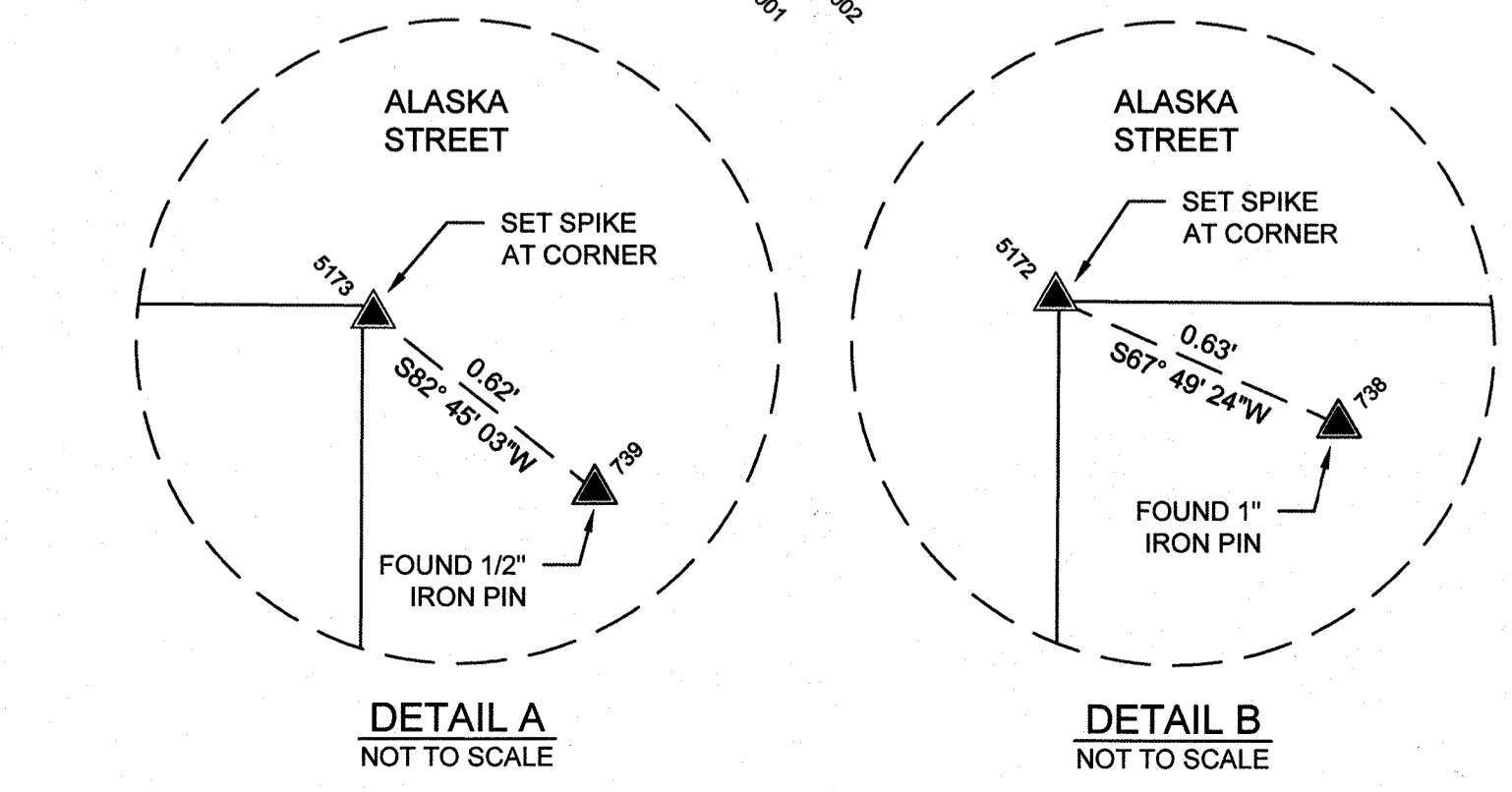
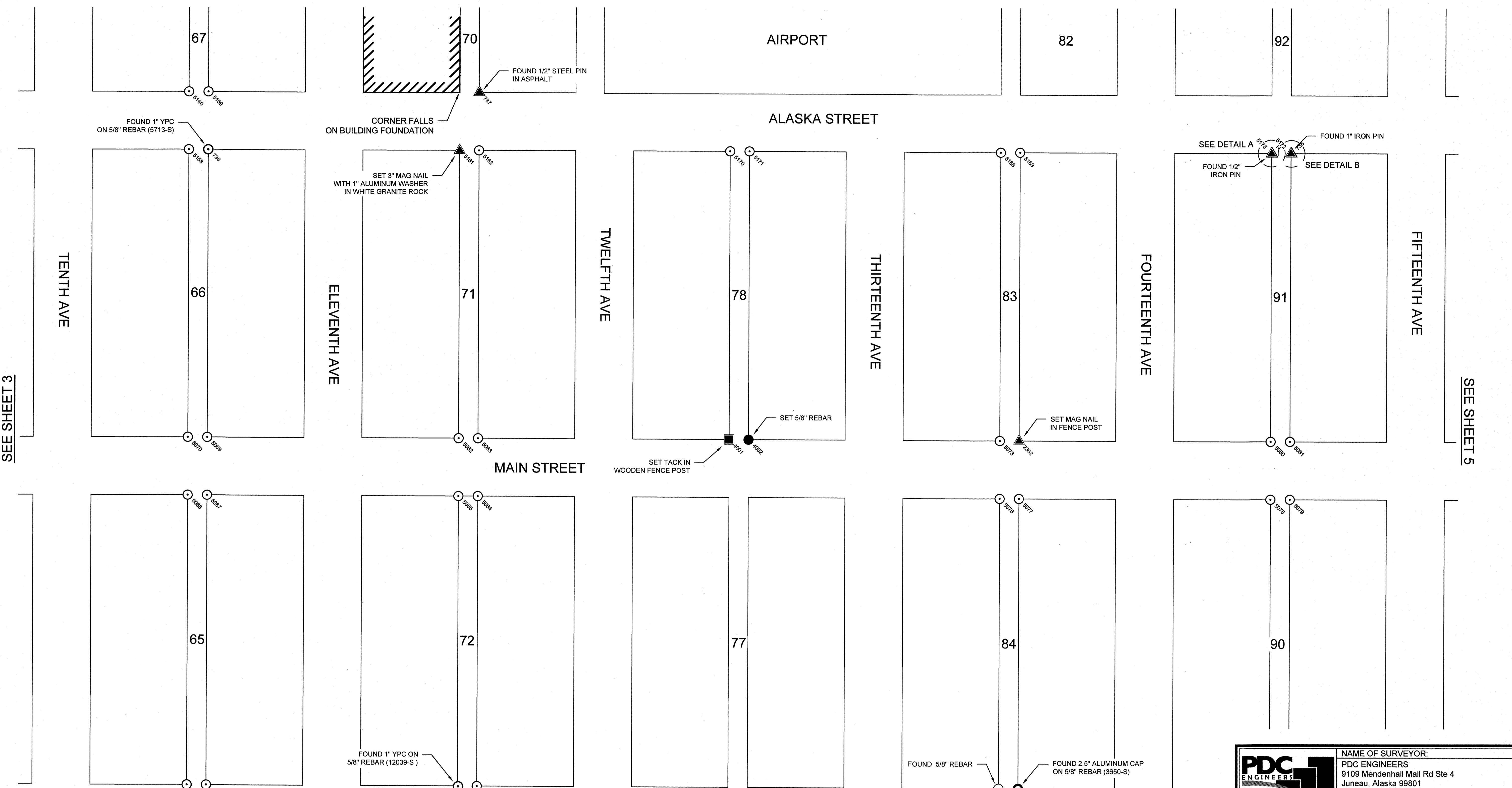
PDC ENGINEERS
 PLAN • DESIGN • CONSTRUCT
 NAME OF SURVEYOR:
 PDC ENGINEERS
 9109 Mendenhall Mall Rd Ste 4
 Juneau, Alaska 99801
 PH #: (907) 780-6060
 CERT. OF AUTH. #: AECC605

RECORD OF SURVEY
MUNICIPALITY OF SKAGWAY
 ALLEY MONUMENTATION
 WITHIN THE TOWNSITE OF SKAGWAY, ALASKA

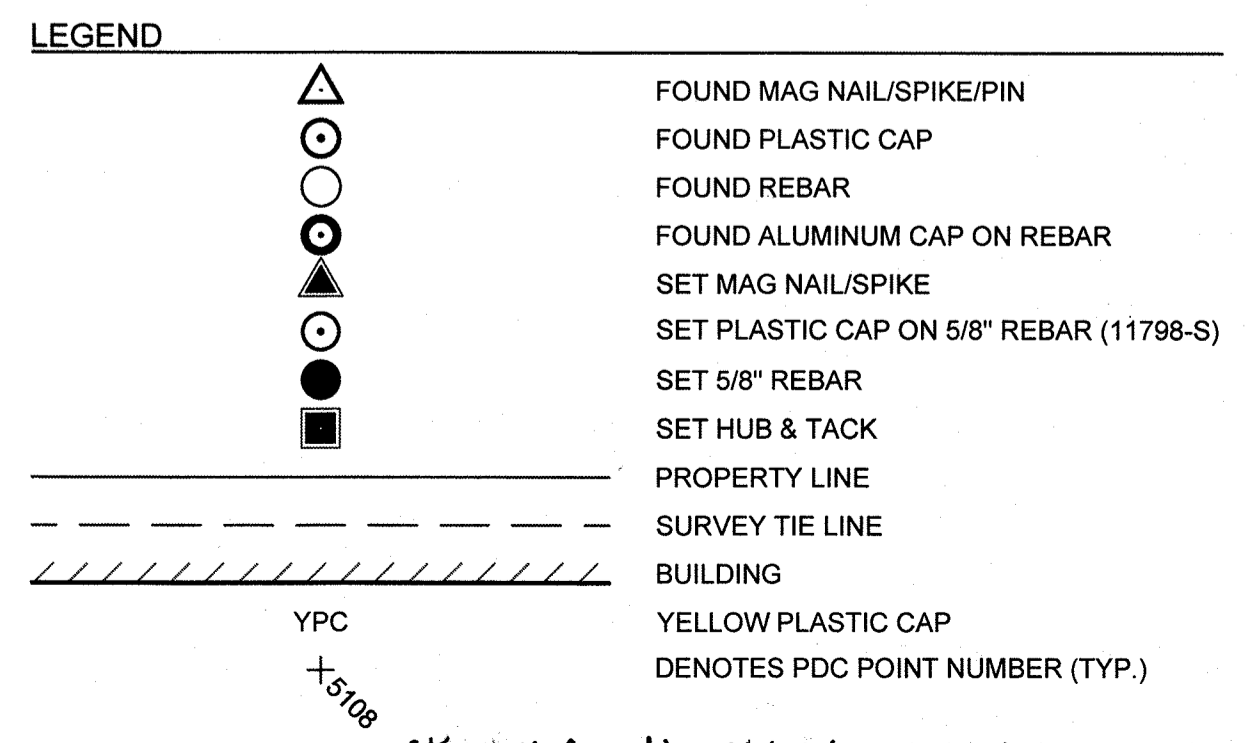
OWNER:	SCALE
MUNICIPALITY OF SKAGWAY	SURVEYOR COR
PO BOX 415	DRAWN EPV
SKAGWAY, ALASKA 99840	CHECKED COR
	DATE 01/14/2021
	PROJECT NO. 20188JN
SKAGWAY RECORDING DISTRICT	SHEET NUMBER 3 OF 12

SEE SHEET 3

SEE SHEET 5



STATE STREET
SEE SHEET 9



PDC ENGINEERS
PLAN • DESIGN • CONSTRUCT

NAME OF SURVEYOR:
PDC ENGINEERS
9109 Mendenhall Mall Rd Ste 4
Juneau, Alaska 99801
PH #: (907) 780-6060
CERT. OF AUTH. #: AECC605

RECORD OF SURVEY
MUNICIPALITY OF SKAGWAY
ALLEY MONUMENTATION
WITHIN THE TOWNSITE OF SKAGWAY, ALASKA

OWNER:	SCALE:
MUNICIPALITY OF SKAGWAY	SURVEYOR COR
PO BOX 415	DRAWN EPV
SKAGWAY, ALASKA 99840	CHECKED COR
	DATE 01/14/2021
	PROJECT NO. 20188JN
SKAGWAY RECORDING DISTRICT	SHEET NUMBER 4 OF 12

C:\Users\michal\AppData\Local\Temp\AP\skagway_2021\DWG\REF-20188JN-4_01142021_1147.dwg

93

ALASKA STREET

FIFTEENTH AVE

94

SIXTEENTH AVE

103

SEVENTEENTH AVE

104

EIGHTEENTH AVE

112

NINETEENTH AVE

113

TWENTIETH AVE

SEE SHEET 4

SEE SHEET 6

MAIN STREET

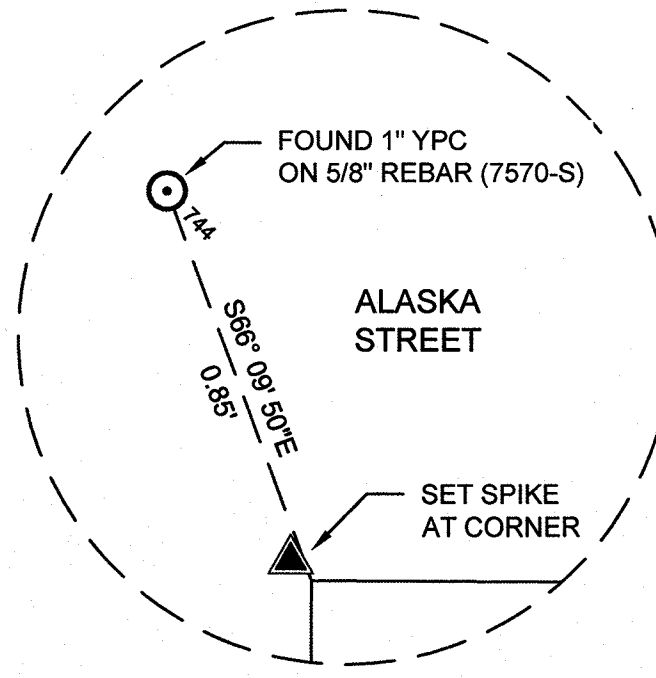
95

102

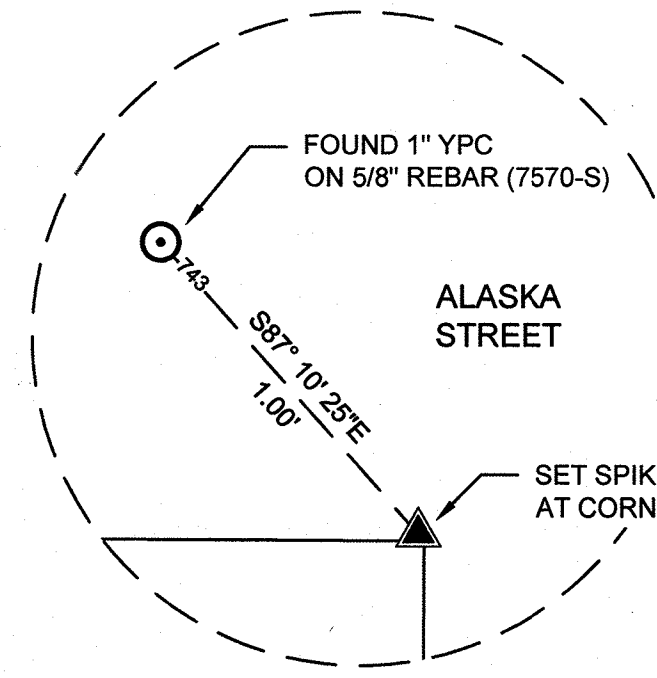
105

111

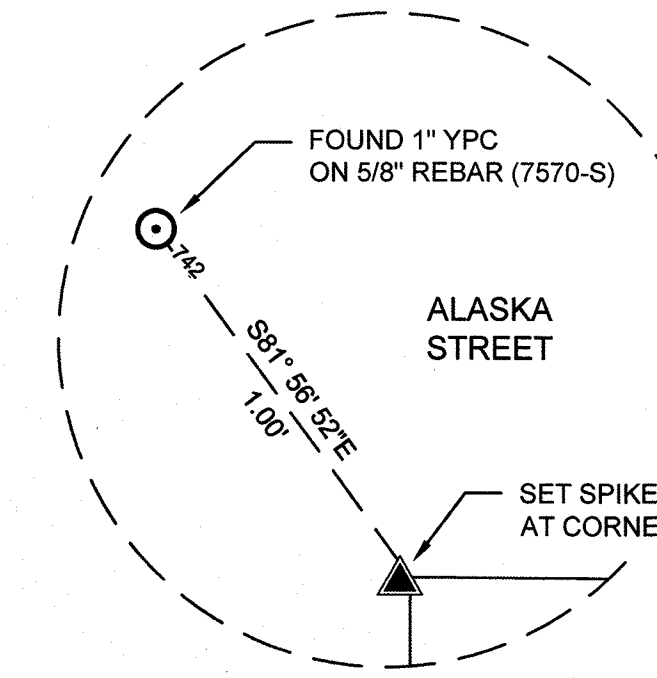
114



DETAIL A
NOT TO SCALE



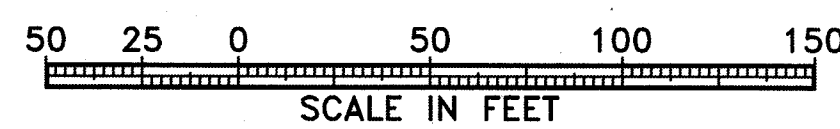
DETAIL B
NOT TO SCALE



DETAIL C
NOT TO SCALE

FOUND AK DOT&PF
CENTERLINE MONUMENT

STATE STREET
SEE SHEET 10



Skagway Recording District P1 2021-1

FOUND PRIMARY MONUMENT (1410-S)

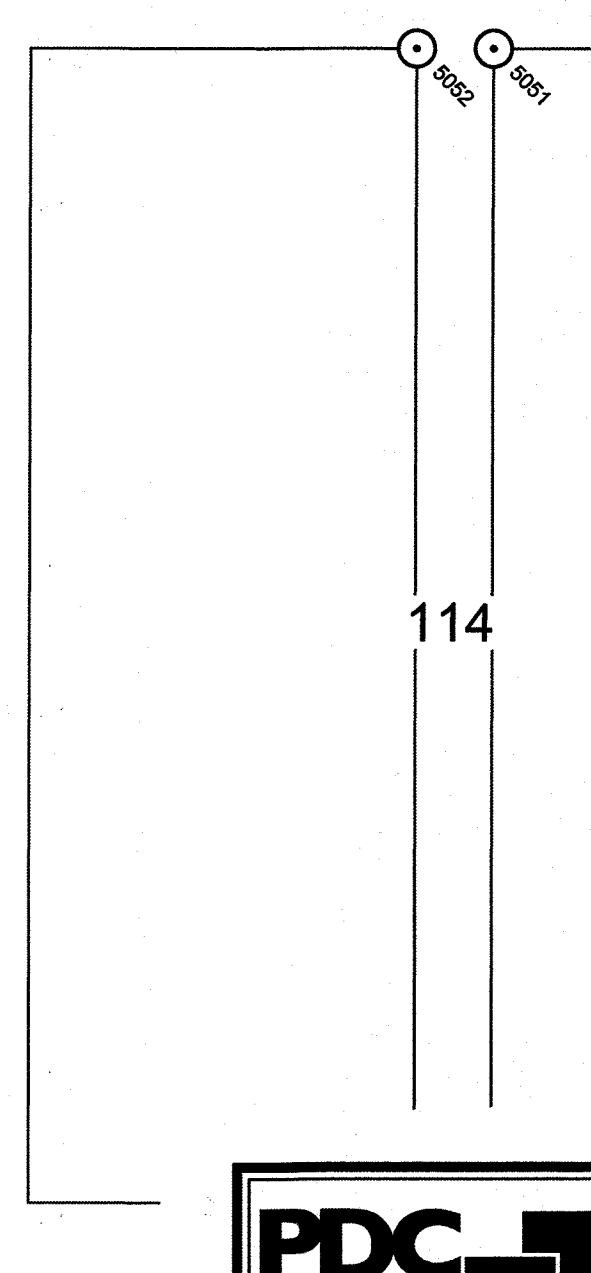
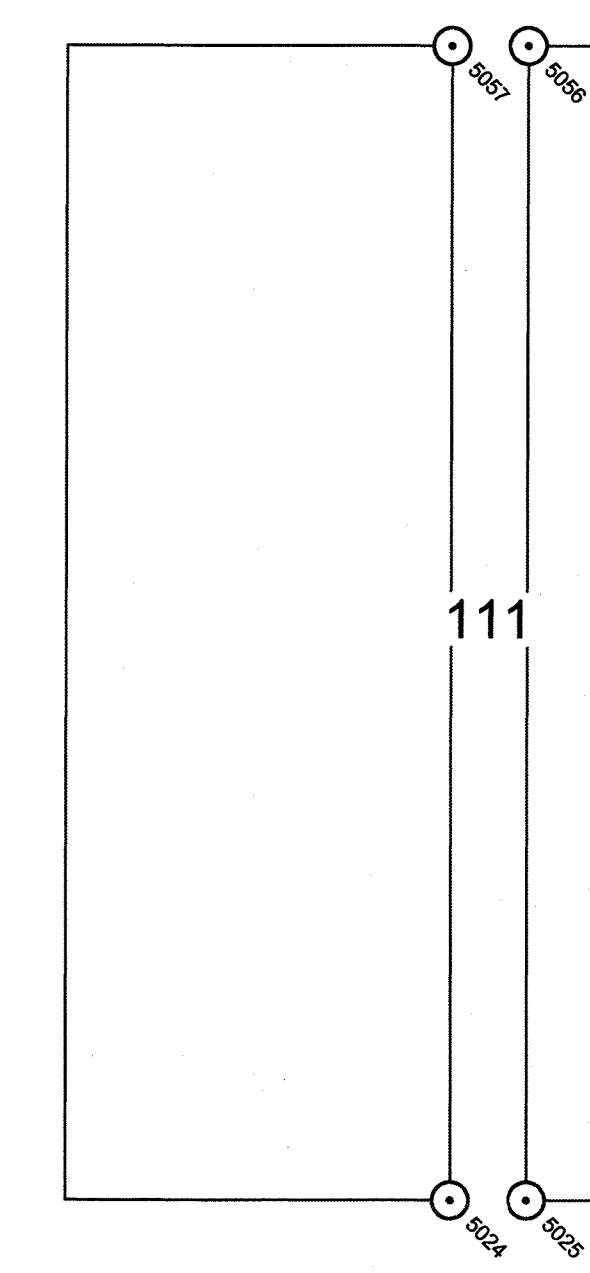
FOUND 1" YPC ON
ON 5/8" REBAR (7570-S)

FOUND 1" YPC ON
ON 5/8" REBAR (7570-S)

SEE DETAIL B

SEE DETAIL C

SEE DETAIL A



LEGEND

- FOUND PRIMARY CENTERLINE MONUMENT
- FOUND PRIMARY MONUMENT
- FOUND PLASTIC CAP
- SET MAG NAIL/SPIKE
- SET PLASTIC CAP ON 5/8" REBAR (11798-S)
- PROPERTY LINE
- SURVEY TIE LINE
- YELLOW PLASTIC CAP
- DENOTES PDC POINT NUMBER (TYP.)

PDC ENGINEERS
PLAN • DESIGN • CONSTRUCT

NAME OF SURVEYOR:
PDC ENGINEERS
9109 Mendenhall Mall Rd Ste 4
Juneau, Alaska 99801
PH #: (907) 780-6060
CERT. OF AUTH. #: AECC605

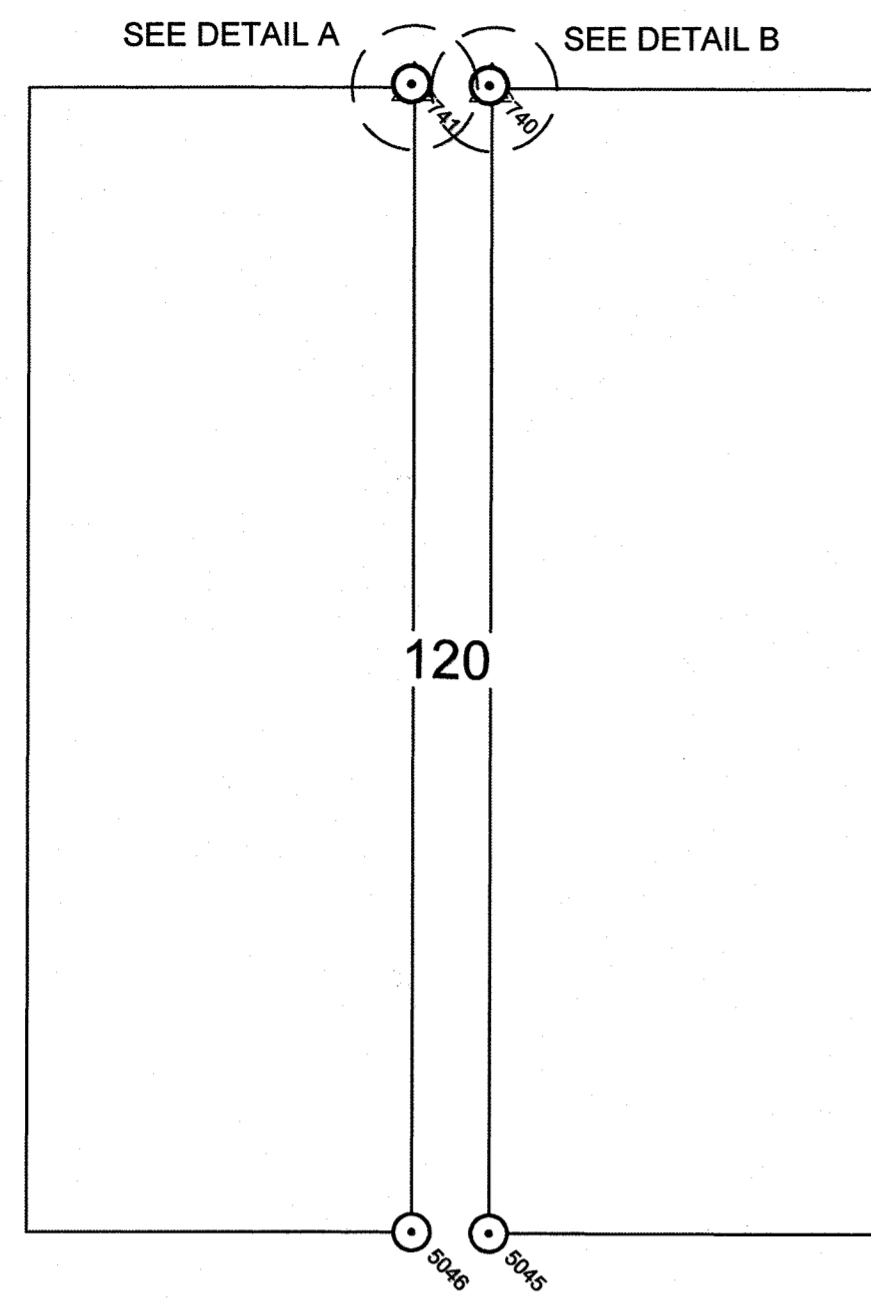
RECORD OF SURVEY
MUNICIPALITY OF SKAGWAY
ALLEY MONUMENTATION
WITHIN THE TOWNSITE OF SKAGWAY, ALASKA

OWNER: MUNICIPALITY OF SKAGWAY PO BOX 415 SKAGWAY, ALASKA 99840	SCALE SURVEYOR DRAWN CHECKED DATE PROJECT NO. SHEET NUMBER	COR EPV COR COR 01/14/2021 2018BJN 5 OF 12
--	--	--

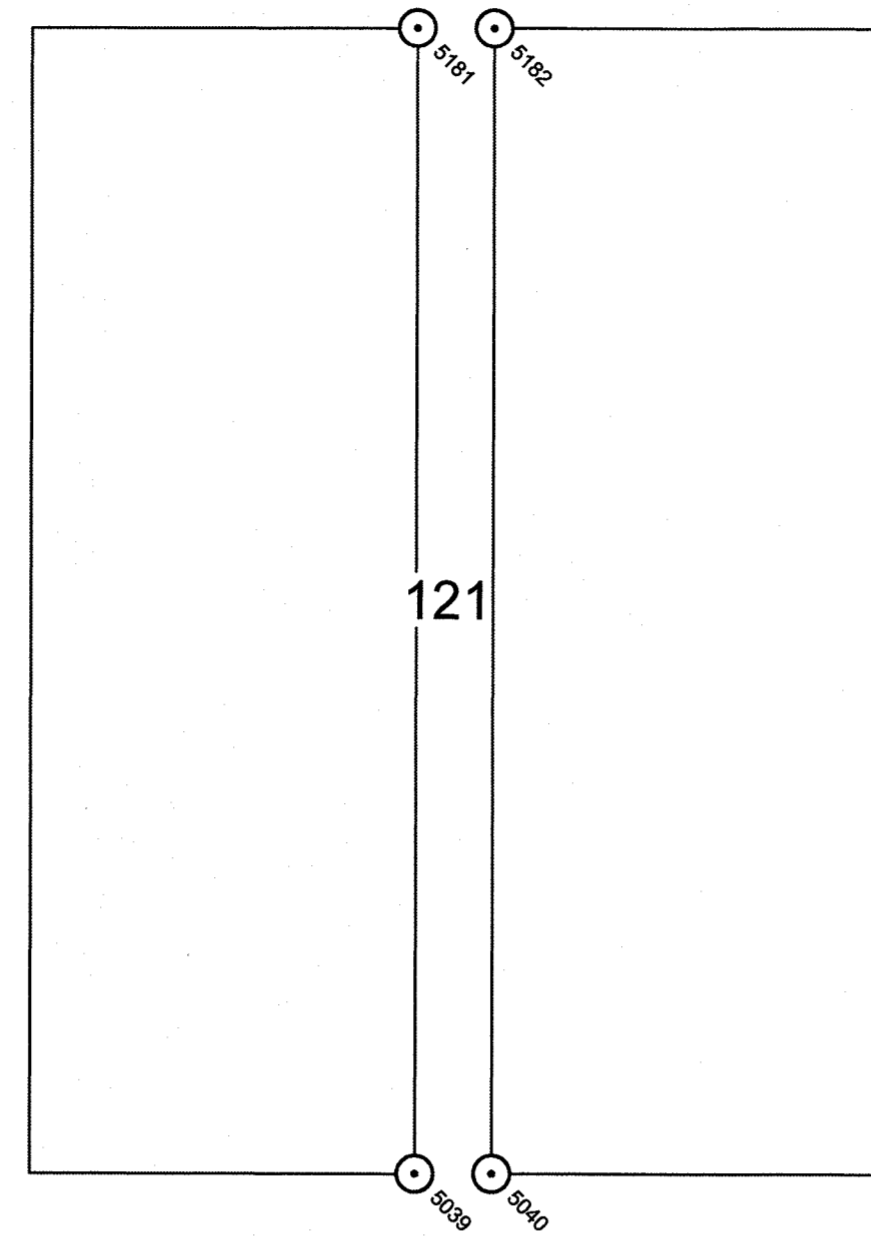
C:\Users\mehschu\OneDrive\Desktop\Temp\p1_2021-1\2021-11-17.dwg

SEE SHEET 5

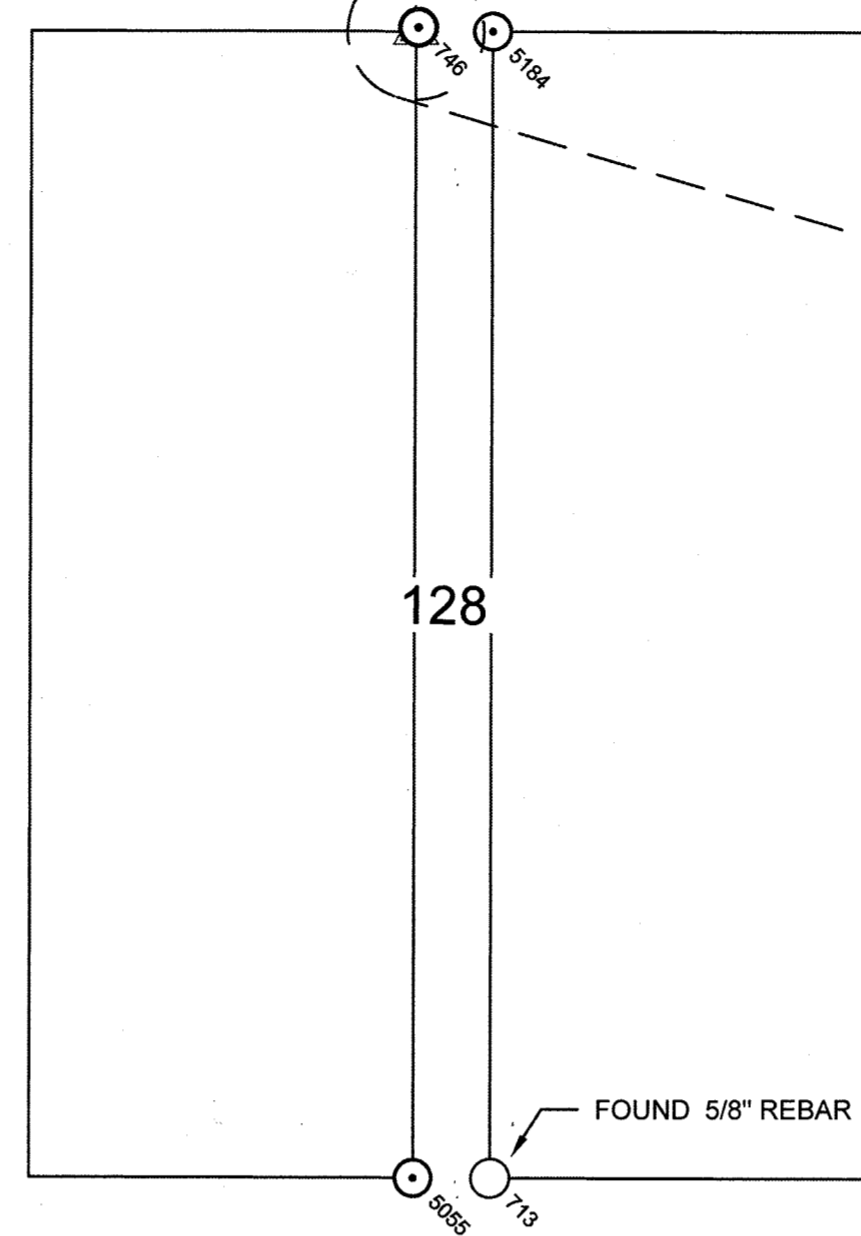
TWENTIETH AVE



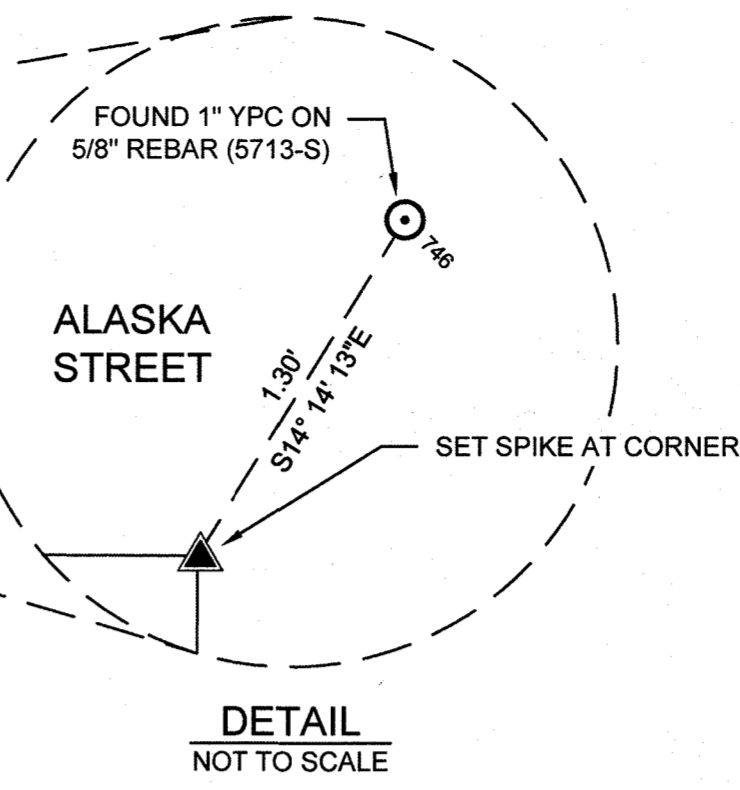
TWENTY FIRST AVE



TWENTY SECOND AVE



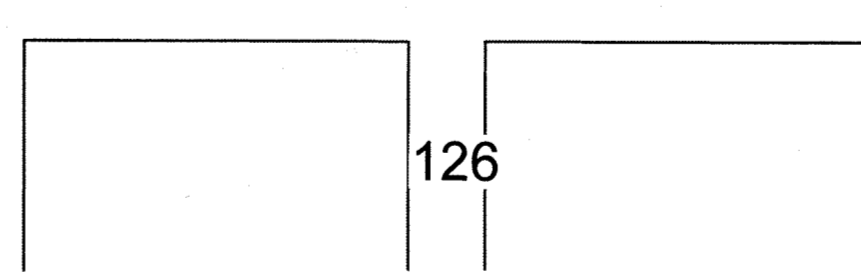
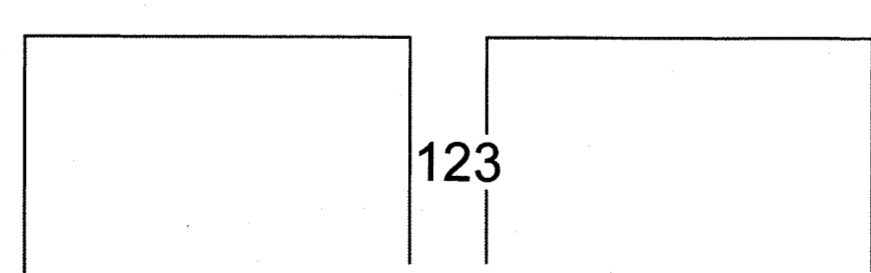
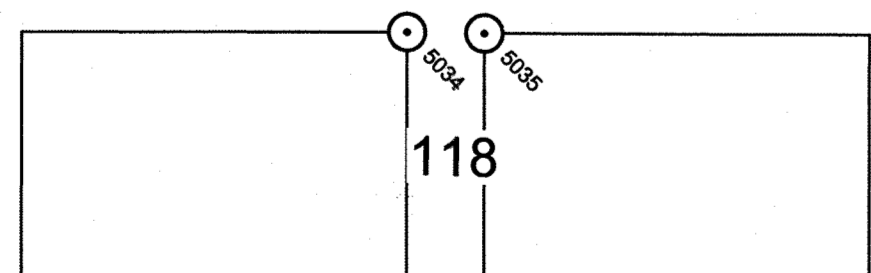
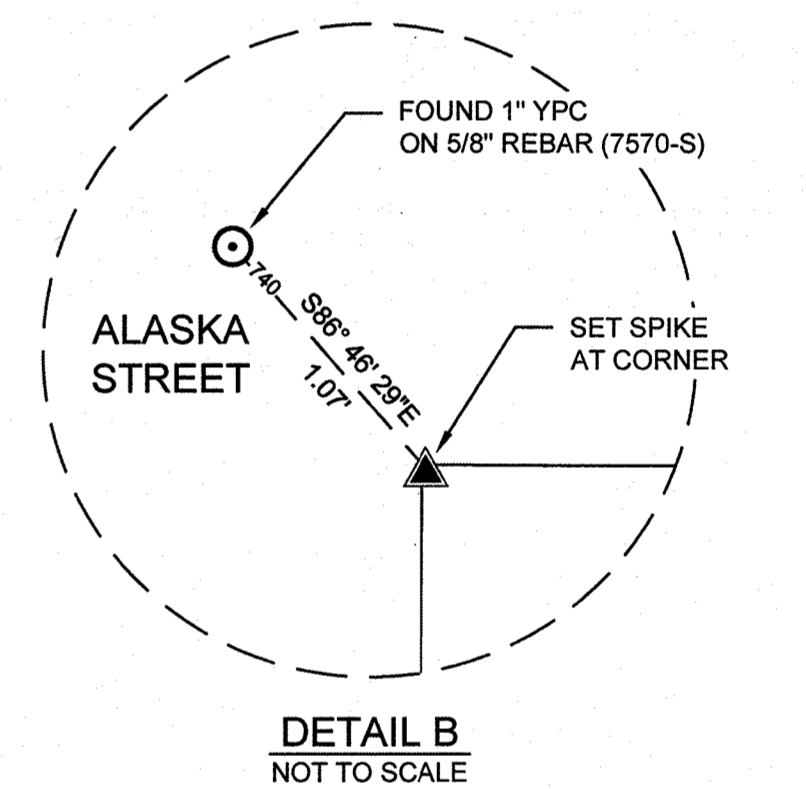
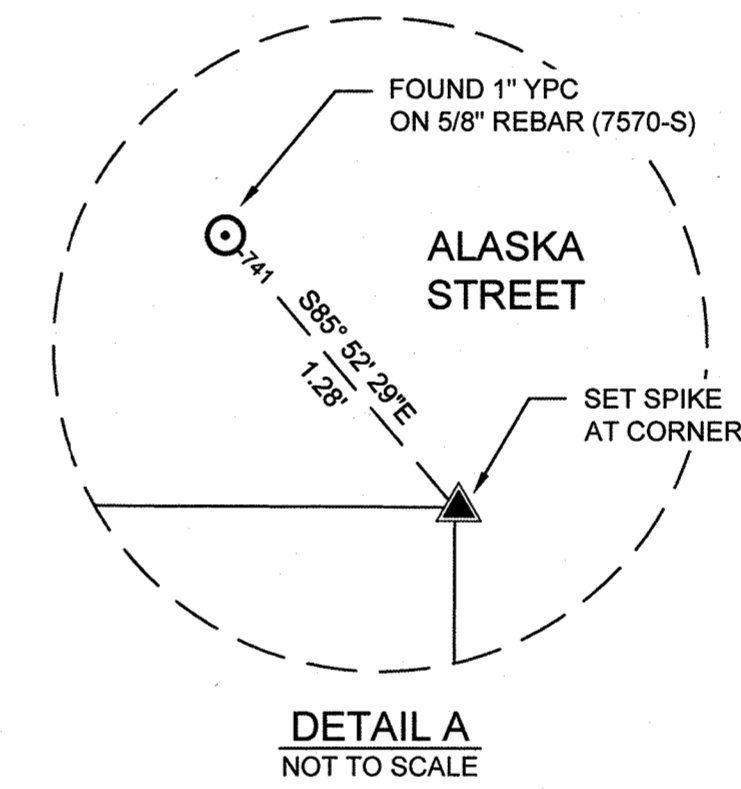
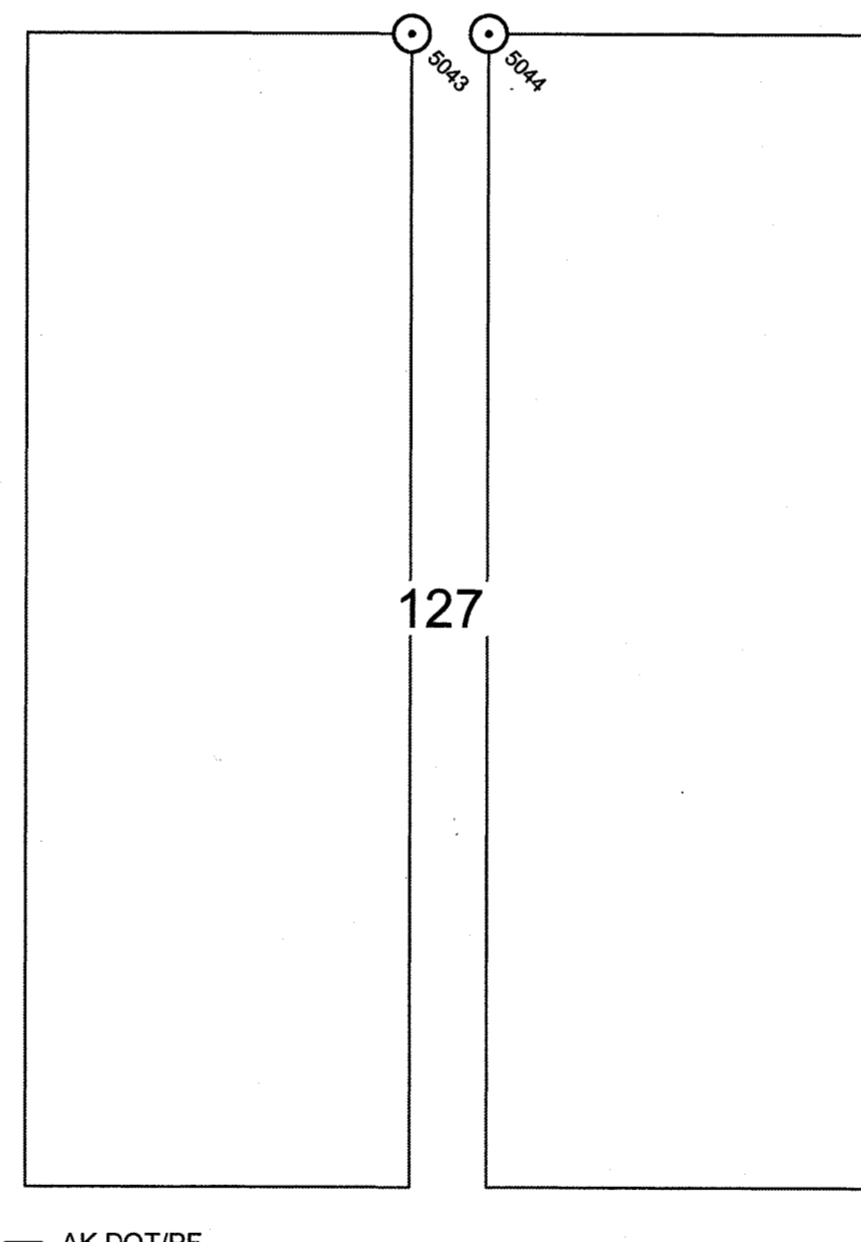
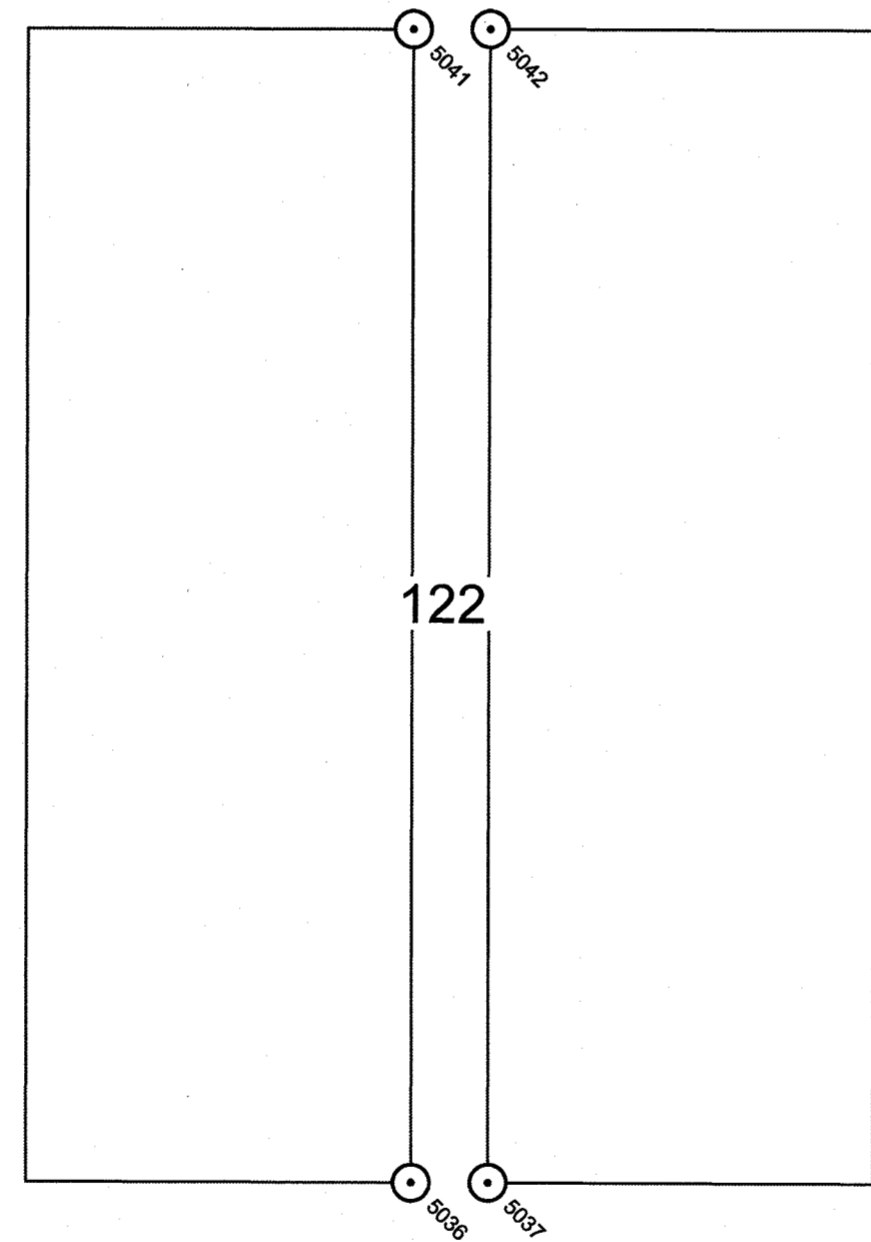
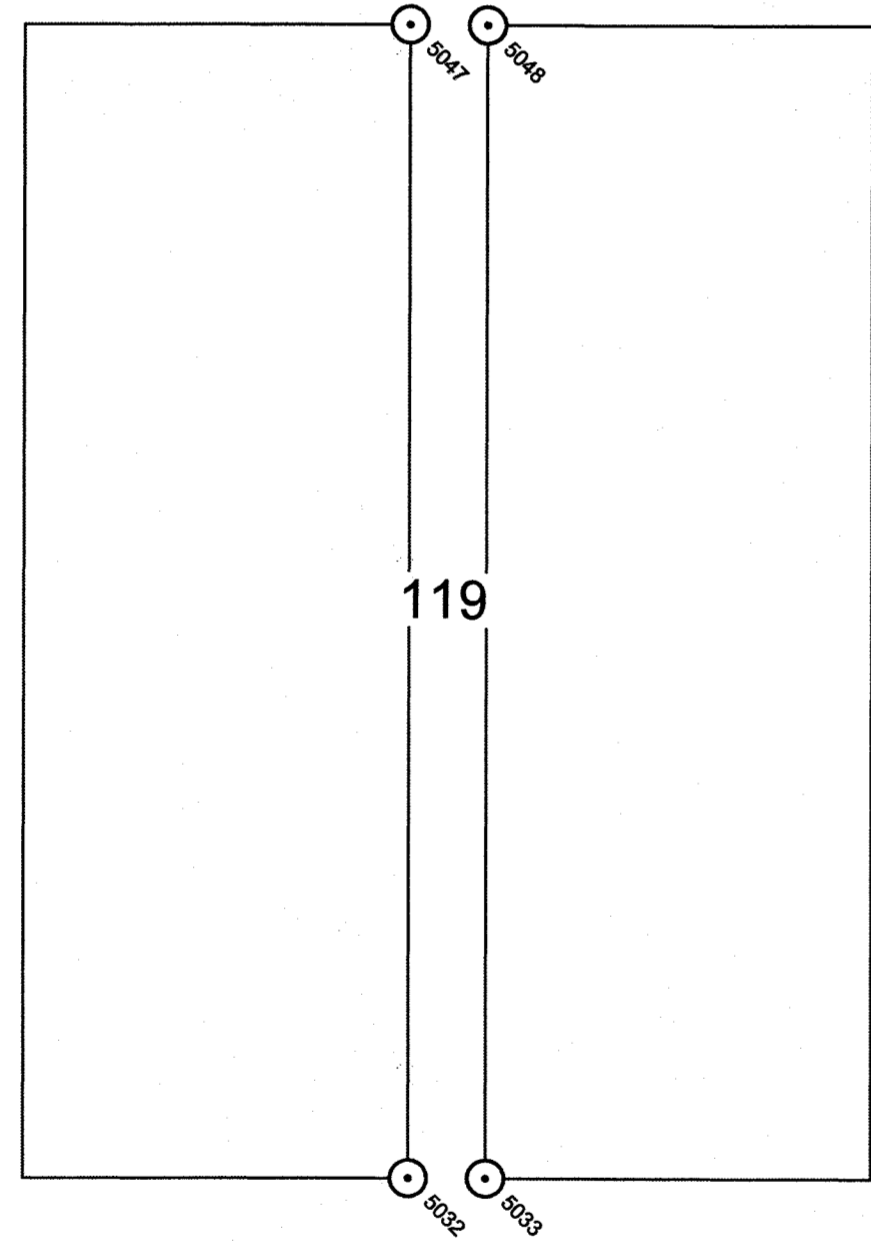
TWENTY THIRD AVE



ALASKA STREET

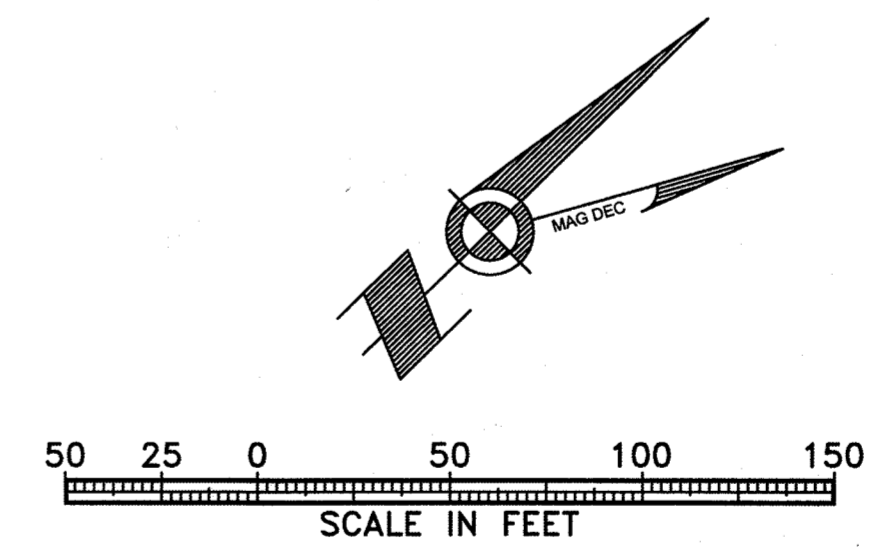
MAIN STREET

STATE STREET



SEE SHEET 11

AK DOT/PF CENTERLINE MONUMENT

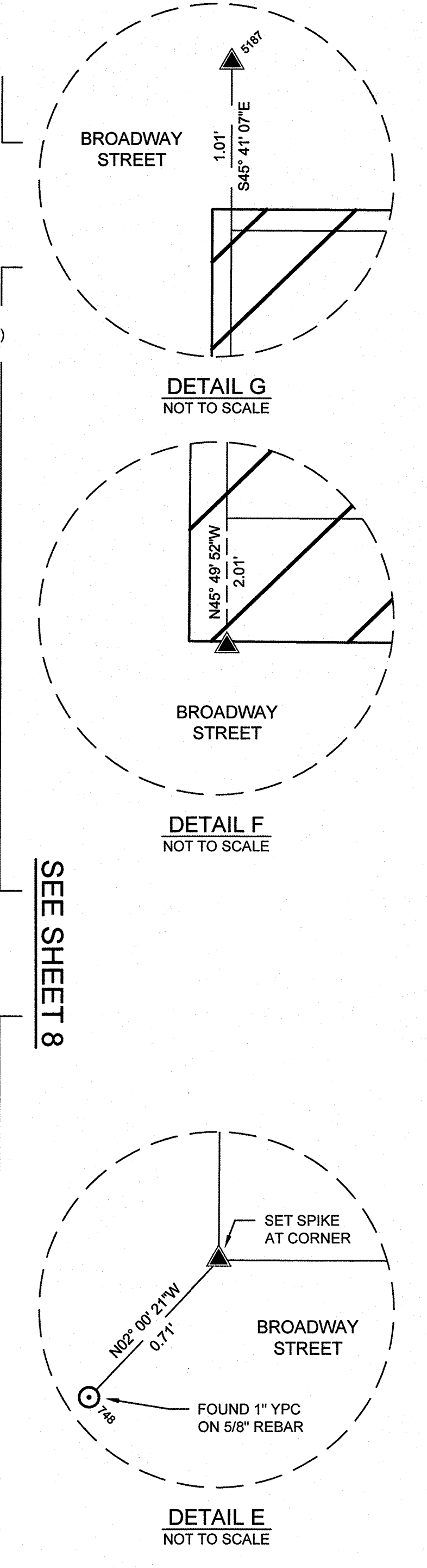
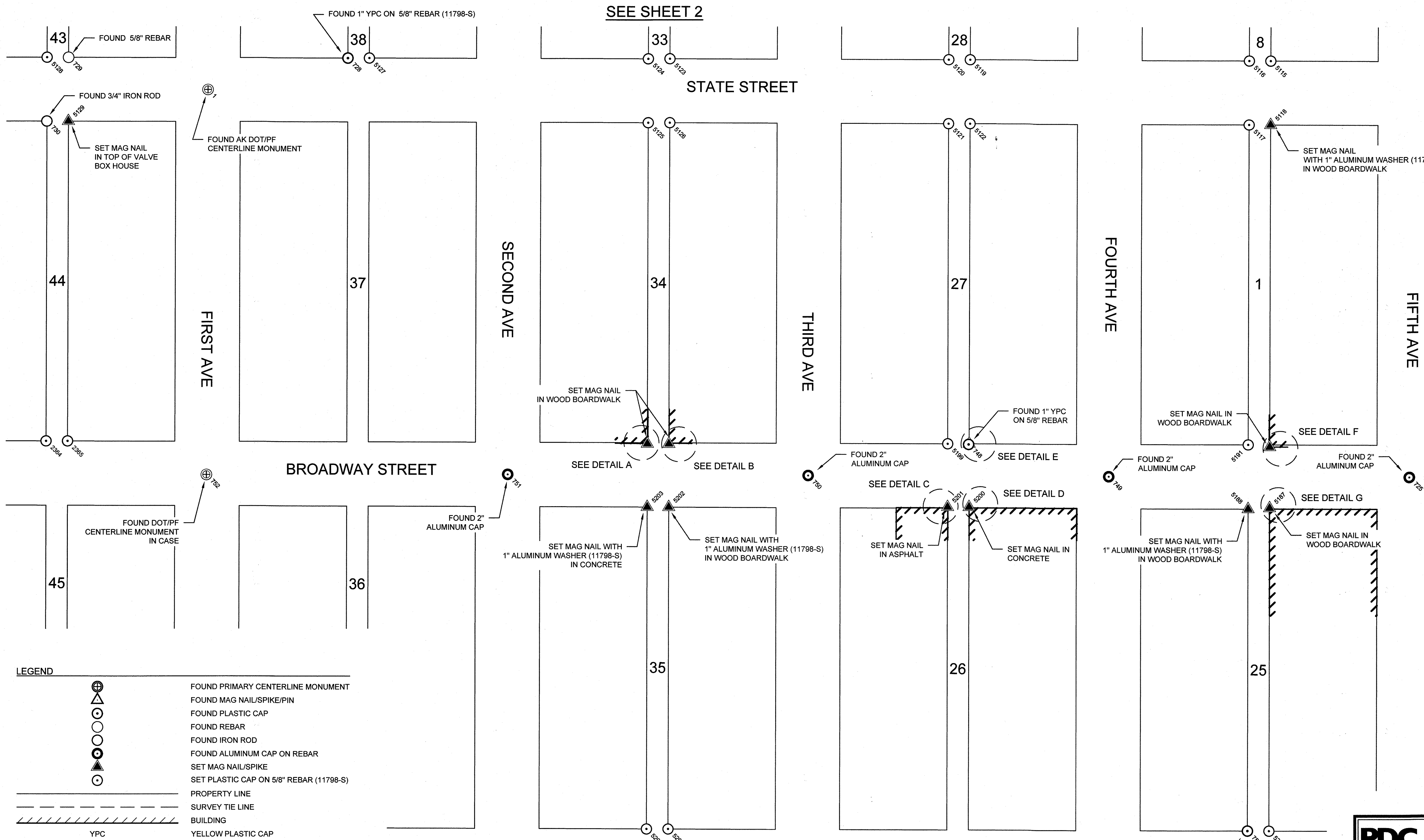


LEGEND

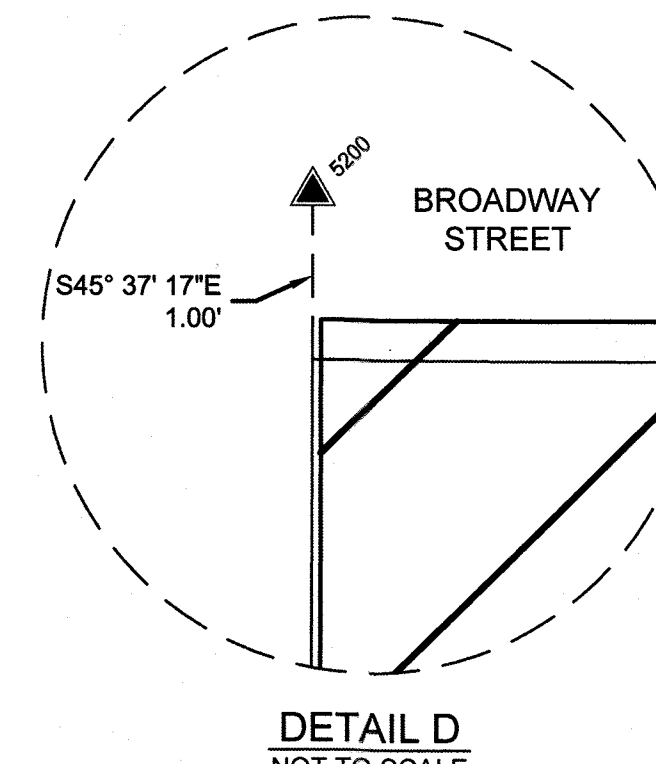
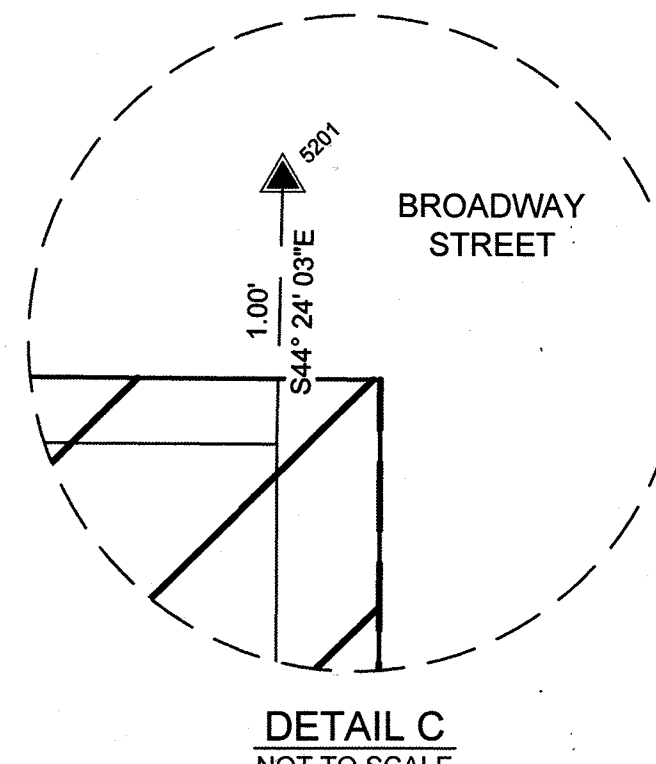
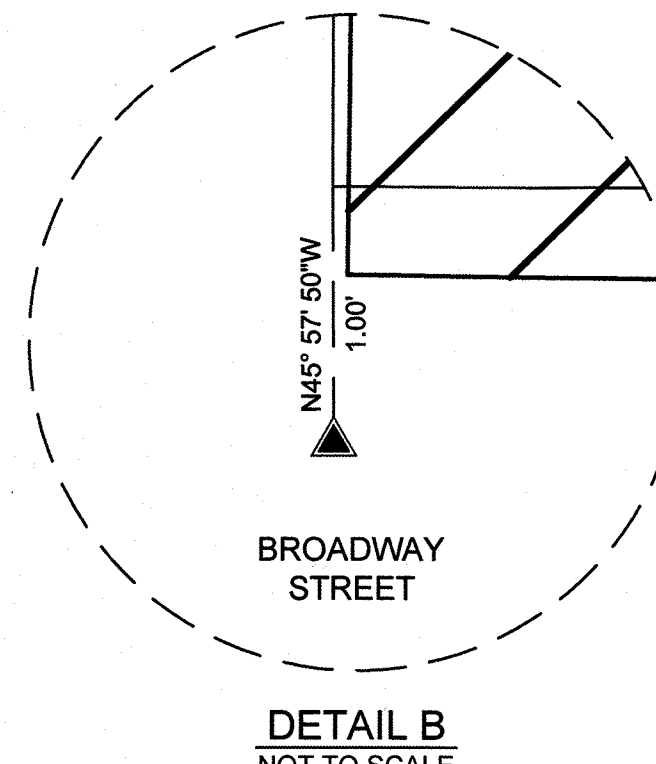
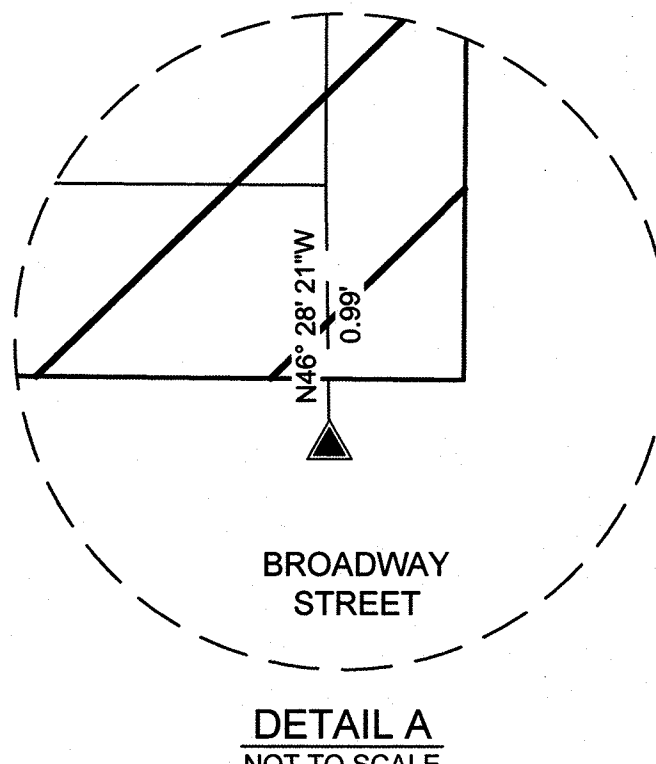
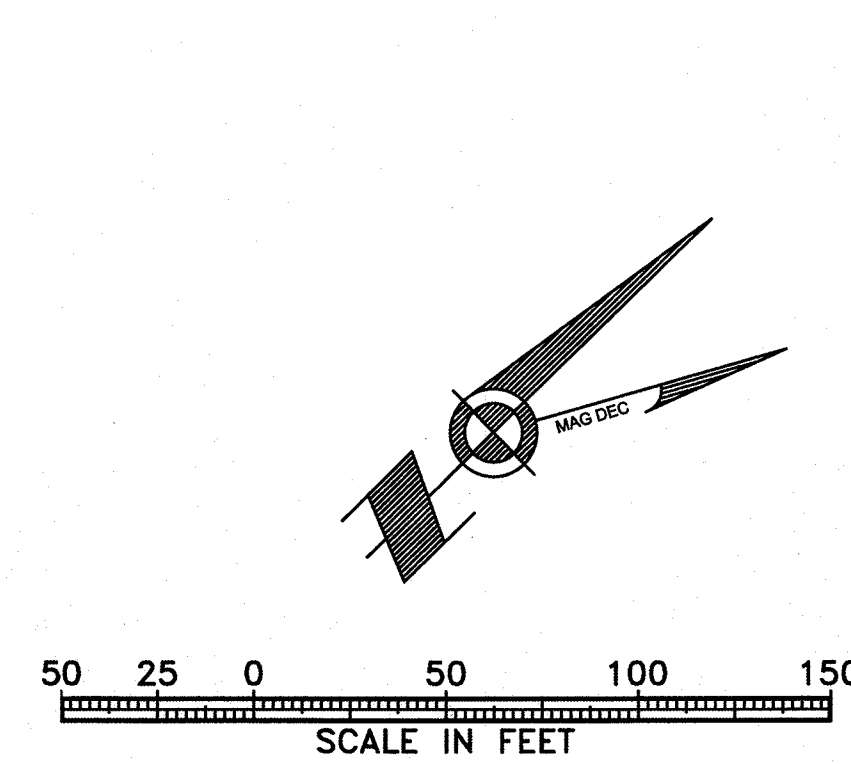
	AK DOT/PF CENTERLINE MONUMENT
	FOUND PLASTIC CAP
	FOUND REBAR
	SET MAG NAIL/SPIKE
	SET PLASTIC CAP ON 5/8" REBAR (11798-S)
	PROPERTY LINE
	SURVEY TIE LINE
	YELLOW PLASTIC CAP
	DENOTES PDC POINT NUMBER (TYP.)

	NAME OF SURVEYOR:
	PDC ENGINEERS
	9109 Mendenhall Mall Rd Ste 4 Juneau, Alaska 99801
	PH #: (907) 780-6060 CERT. OF AUTH. #: AECC605

RECORD OF SURVEY MUNICIPALITY OF SKAGWAY ALLEY MONUMENTATION WITHIN THE TOWNSHIP OF SKAGWAY, ALASKA	
OWNER:	SCALE
MUNICIPALITY OF SKAGWAY	SURVEYOR COR
PO BOX 415	DRAWN EPV
SKAGWAY, ALASKA 99840	CHECKED COR
	DATE 01/14/2021
SKAGWAY RECORDING DISTRICT	PROJECT NO. 20188JN
	SHEET NUMBER 6 OF 12



- LEGEND**
- FOUND PRIMARY CENTERLINE MONUMENT
 - FOUND MAG NAIL/SPIKE/PIN
 - FOUND PLASTIC CAP
 - FOUND REBAR
 - FOUND IRON ROD
 - FOUND ALUMINUM CAP ON REBAR
 - SET MAG NAIL/SPIKE
 - SET PLASTIC CAP ON 5/8" REBAR (11798-S)
 - PROPERTY LINE
 - SURVEY TIE LINE
 - BUILDING
 - YELLOW PLASTIC CAP
 - DENOTES PDC POINT NUMBER (TYP.)



SEE SHEET 2

SEE SHEET 8

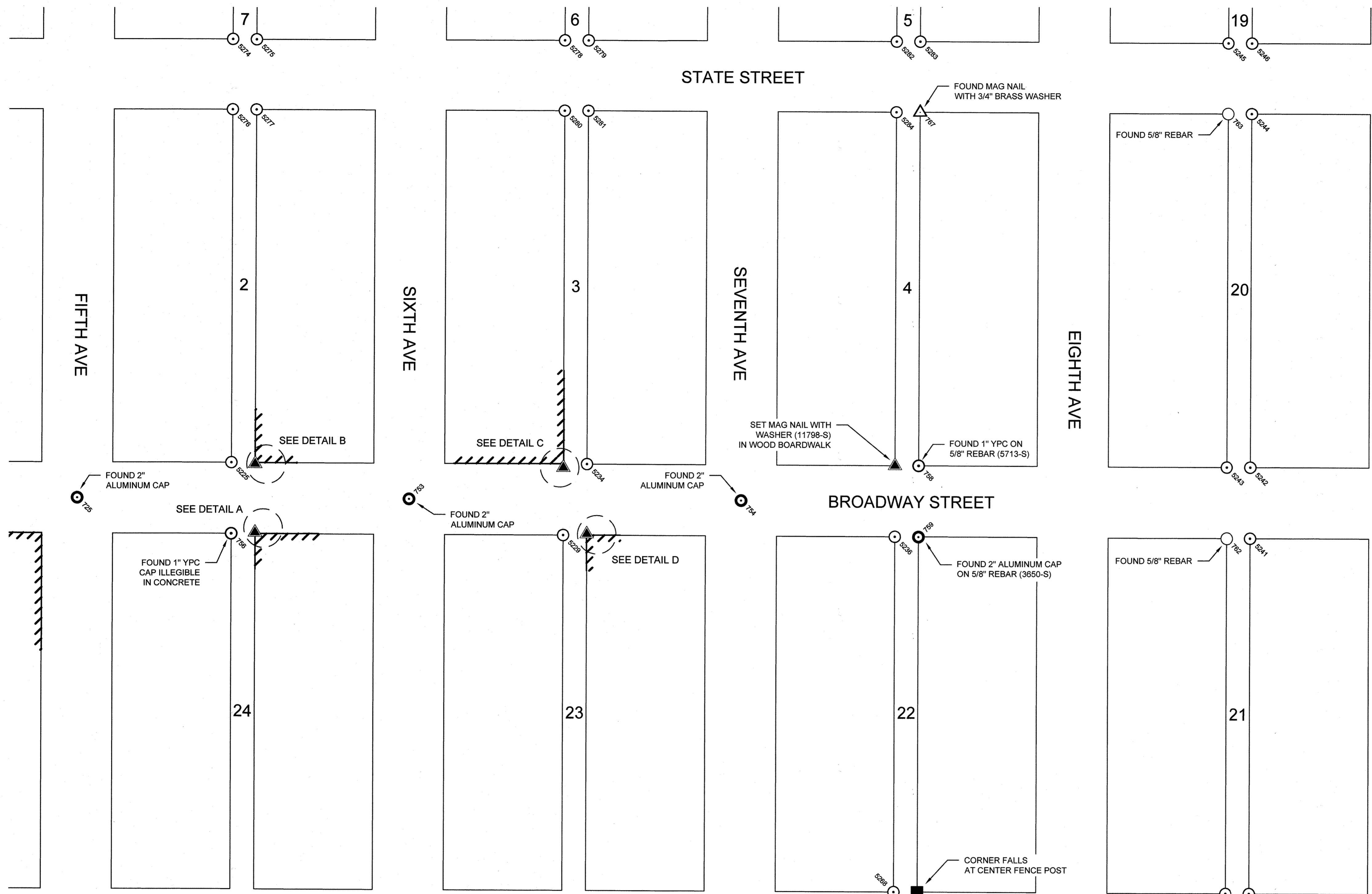
PDC ENGINEERS
 NAME OF SURVEYOR:
 PDC ENGINEERS
 9109 Mendenhall Mall Rd Ste 4
 Juneau, Alaska 99801
 PH #: (907) 780-6060
 CERT. OF AUTH. #: AECC605

RECORD OF SURVEY
MUNICIPALITY OF SKAGWAY
 ALLEY MONUMENTATION
 WITHIN THE TOWNSITE OF SKAGWAY, ALASKA

OWNER:	SCALE:
MUNICIPALITY OF SKAGWAY	SURVEYOR
PO BOX 415	COR
SKAGWAY, ALASKA 99840	DRAWN
	EPV
	CHECKED
	COR
	DATE
	01/14/2021
	PROJECT NO.
	20188JN
SKAGWAY RECORDING DISTRICT	SHEET NUMBER
	7 OF 12

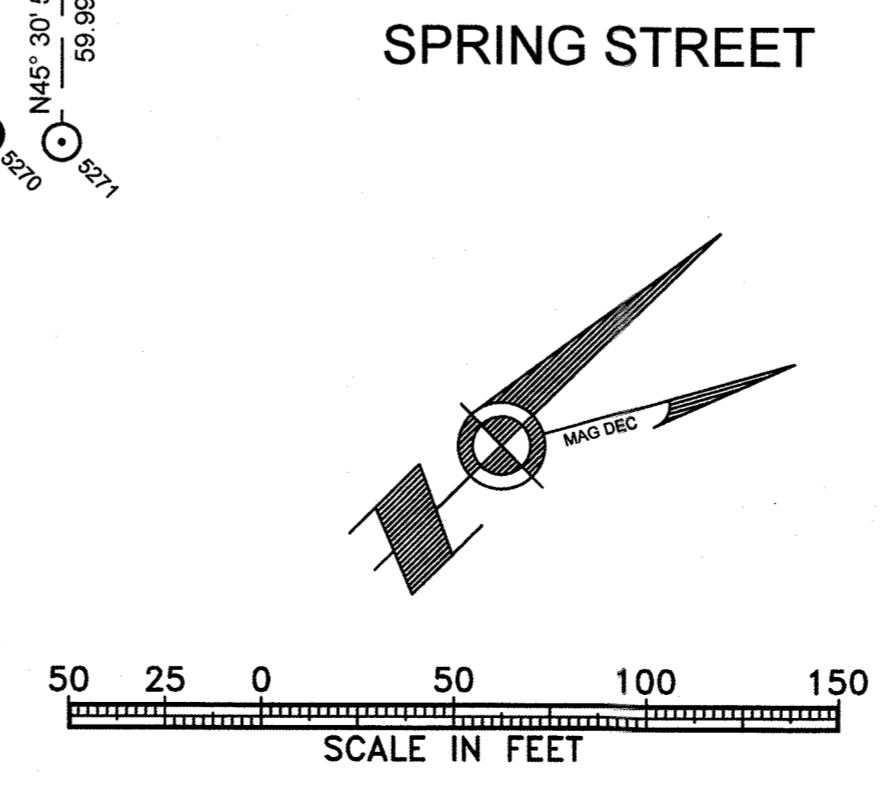
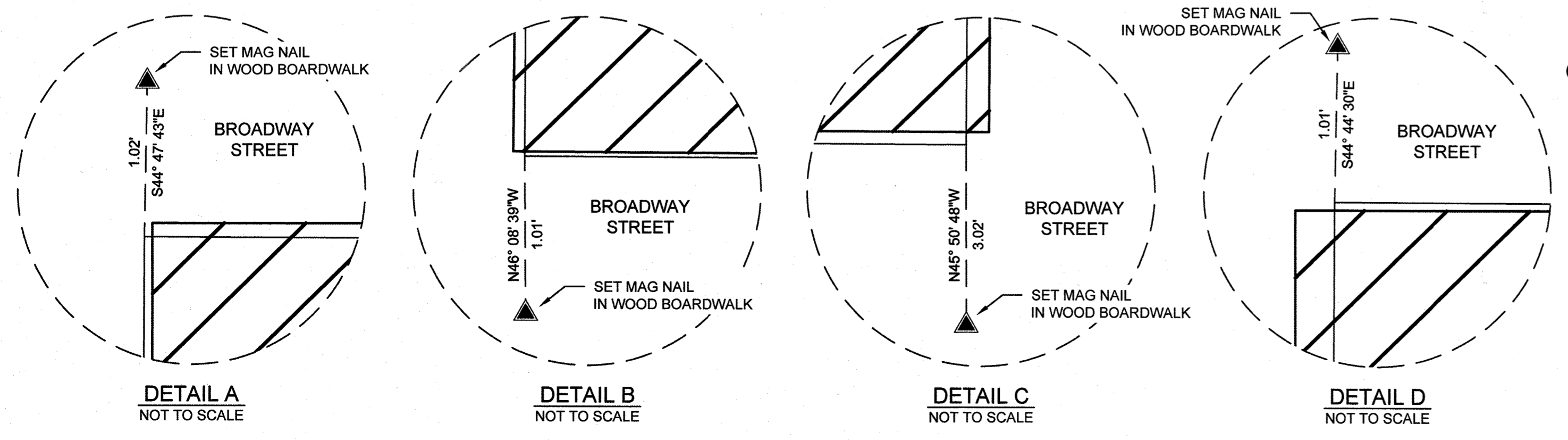
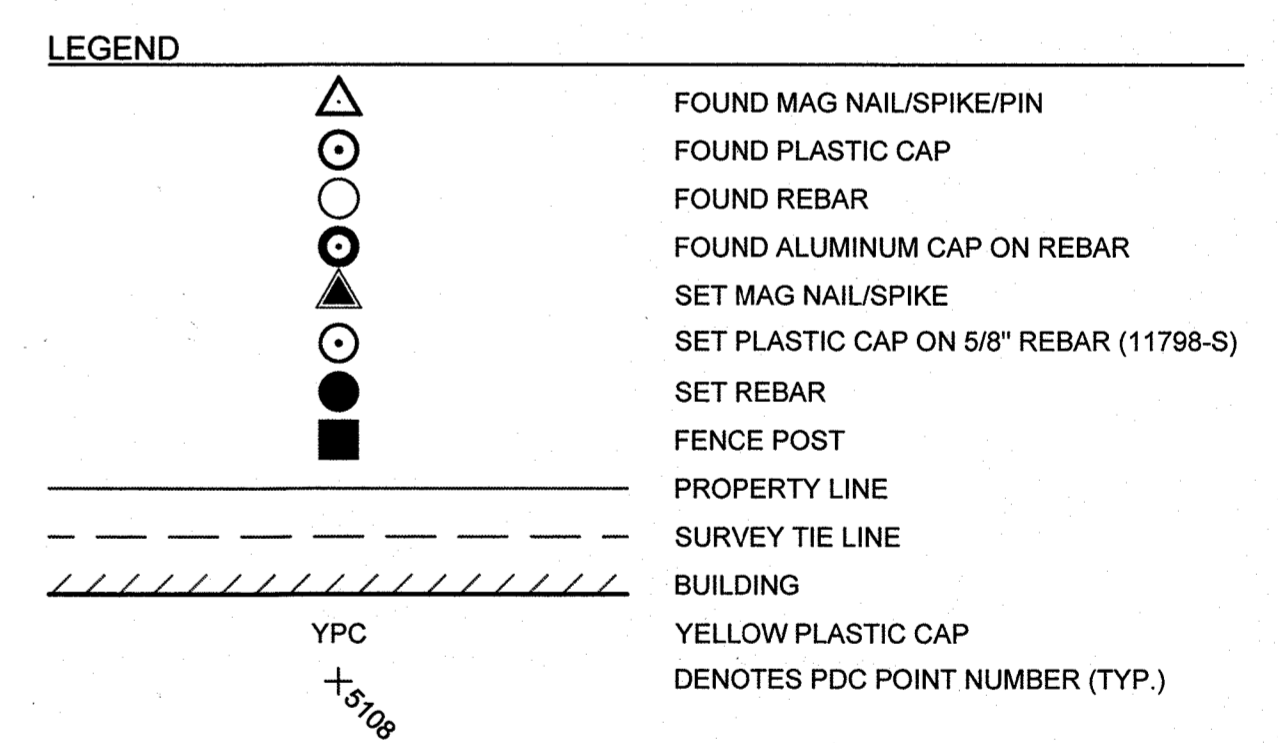
C:\Users\wchugh\AppData\Local\Temp\Aspdwg_24072019\F03-20188JN_7_01142021_11.dwg

SEE SHEET 3



SEE SHEET 7

SEE SHEET 9

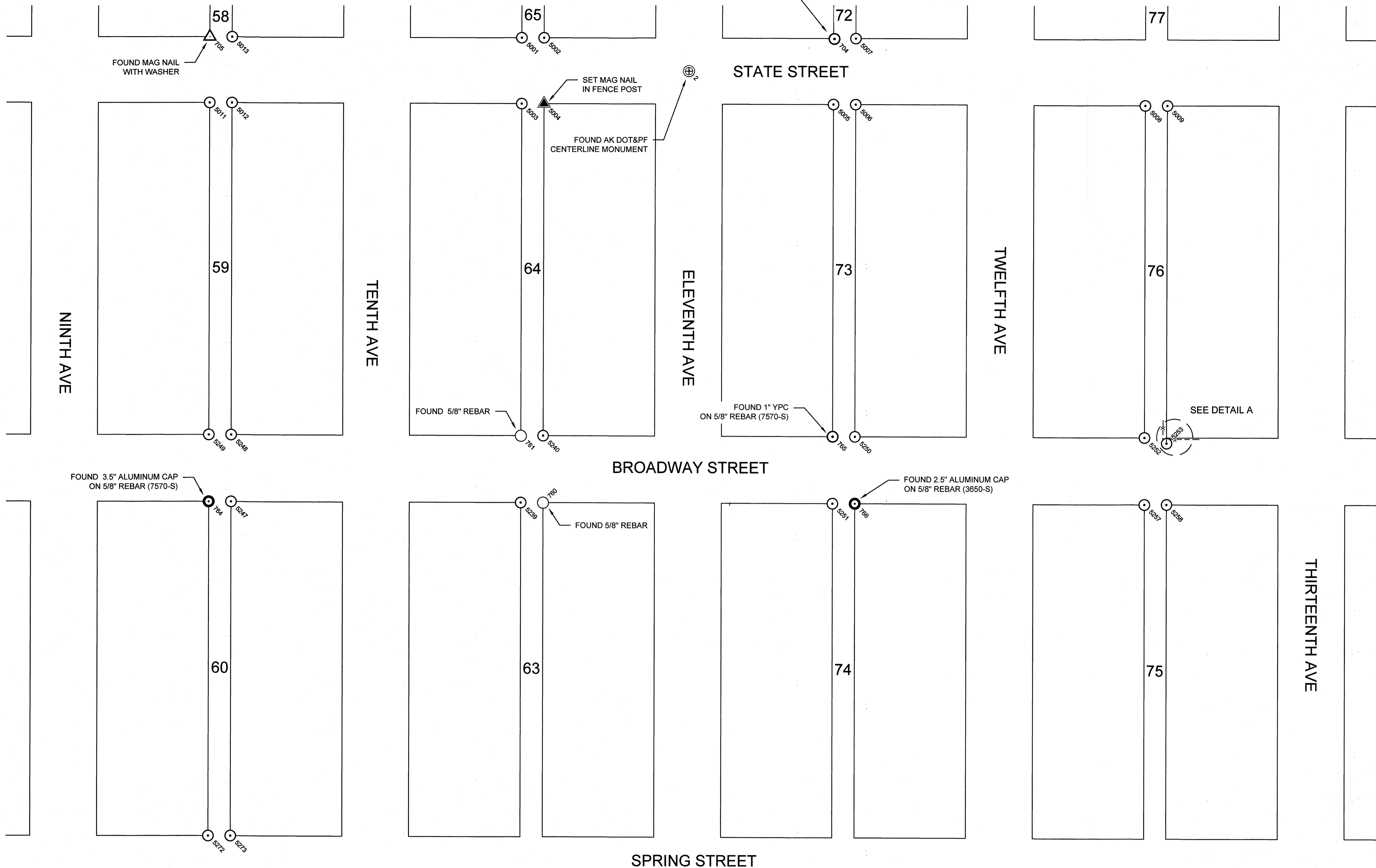


	NAME OF SURVEYOR:
	PDC ENGINEERS
	9109 Mendenhall Mall Rd Ste 4
	Juneau, Alaska 99801
PH #:	(907) 780-6060
CERT. OF AUTH. #:	AECC605

RECORD OF SURVEY MUNICIPALITY OF SKAGWAY ALLEY MONUMENTATION WITHIN THE TOWNSHIP OF SKAGWAY, ALASKA	
OWNER:	SCALE
MUNICIPALITY OF SKAGWAY	SURVEYOR COR
PO BOX 415	DRAWN EPV
SKAGWAY, ALASKA 99840	CHECKED COR
	DATE 01/14/2021
SKAGWAY RECORDING DISTRICT	PROJECT NO. 2018BJN
	SHEET NUMBER 8 OF 12

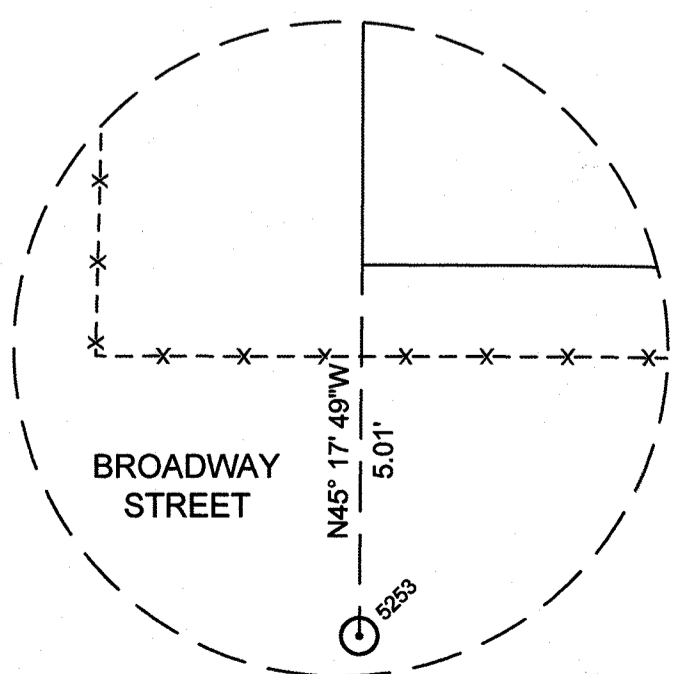
SEE SHEET 4

FOUND 1" YPC ON 5/8" REBAR (12039-S)

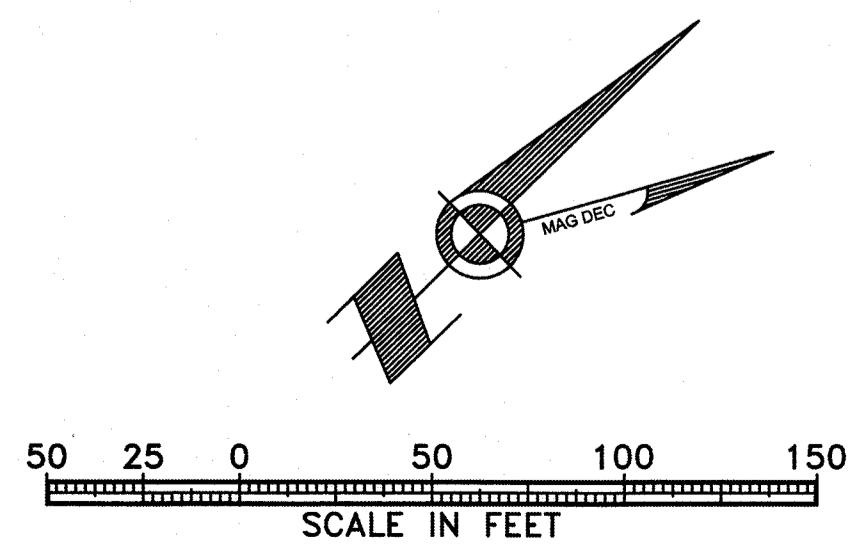


SEE SHEET 8

SEE SHEET 10



DETAIL A
NOT TO SCALE



LEGEND

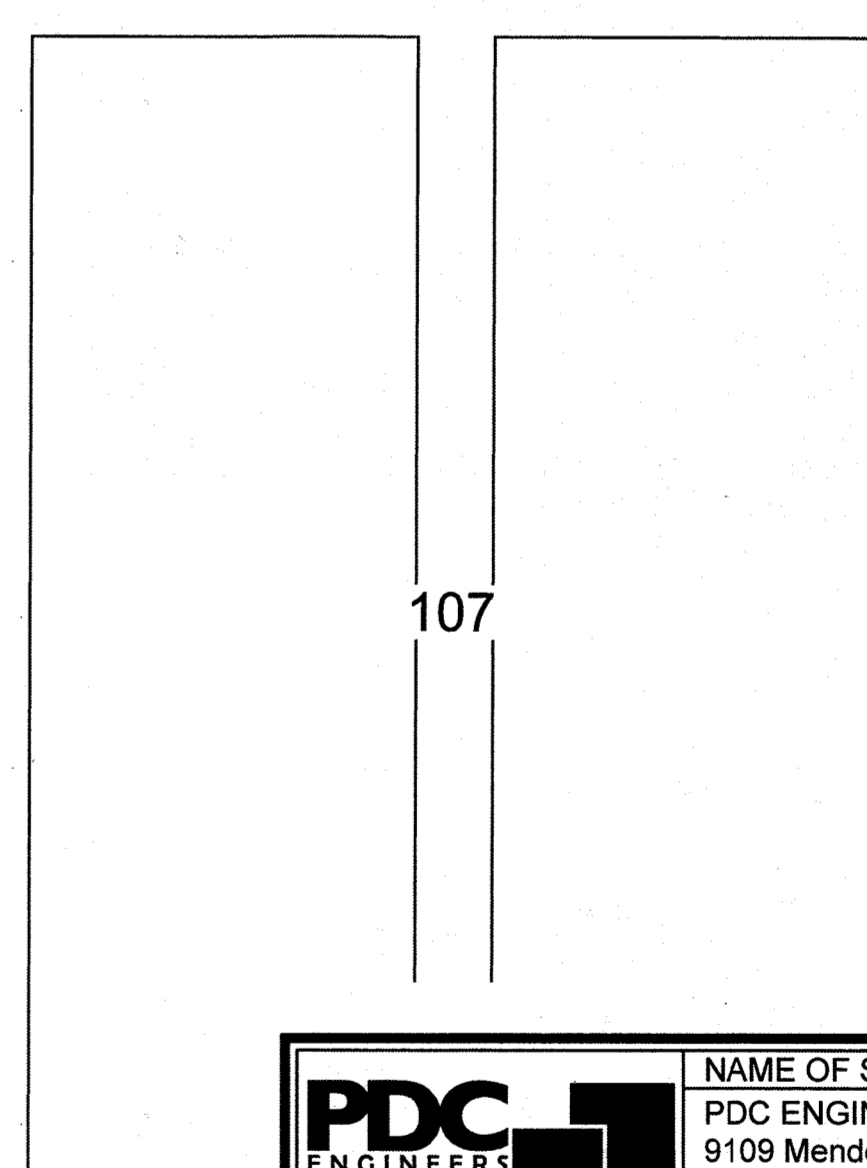
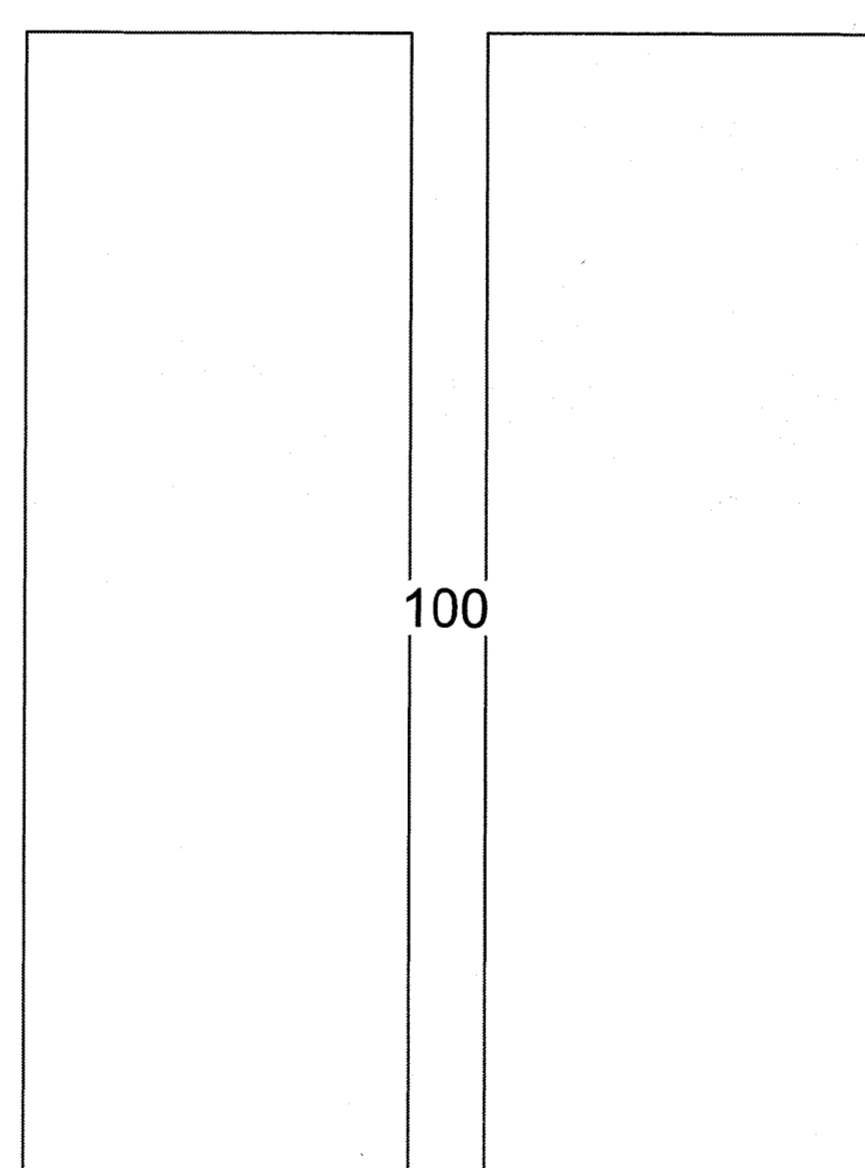
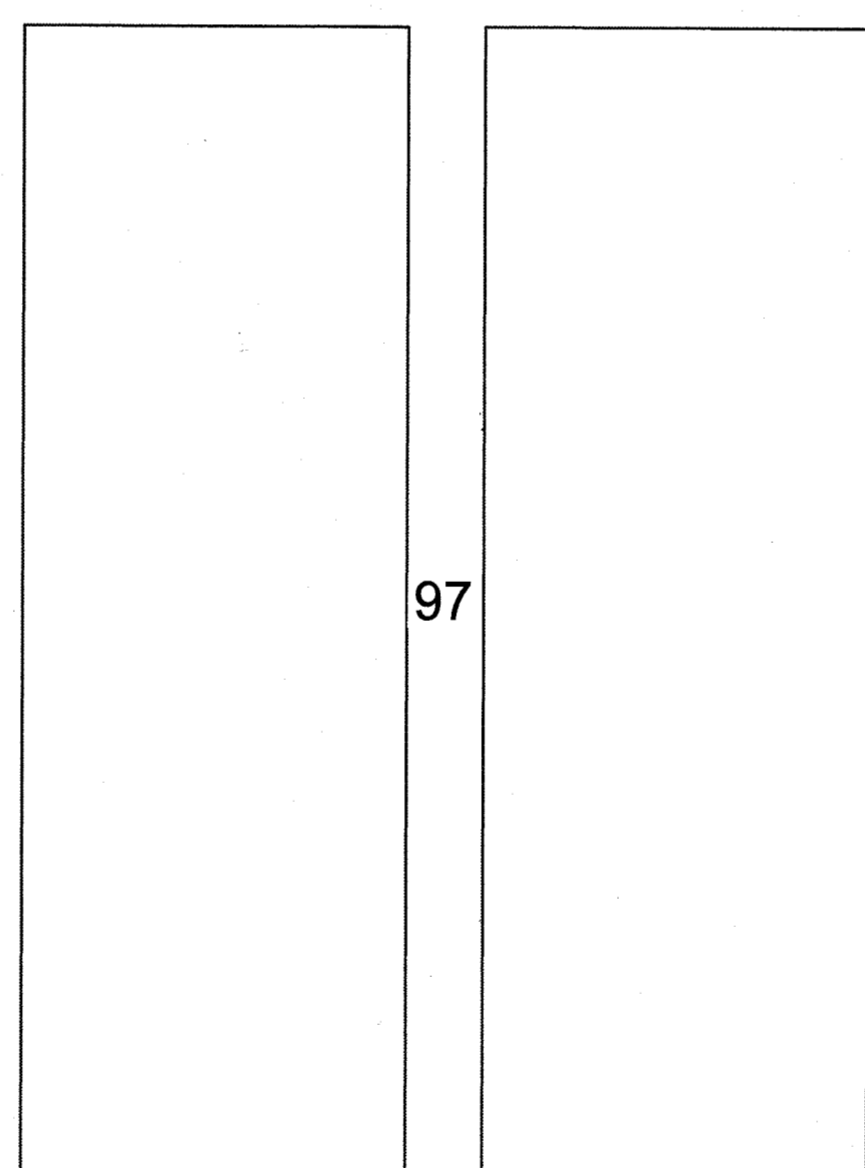
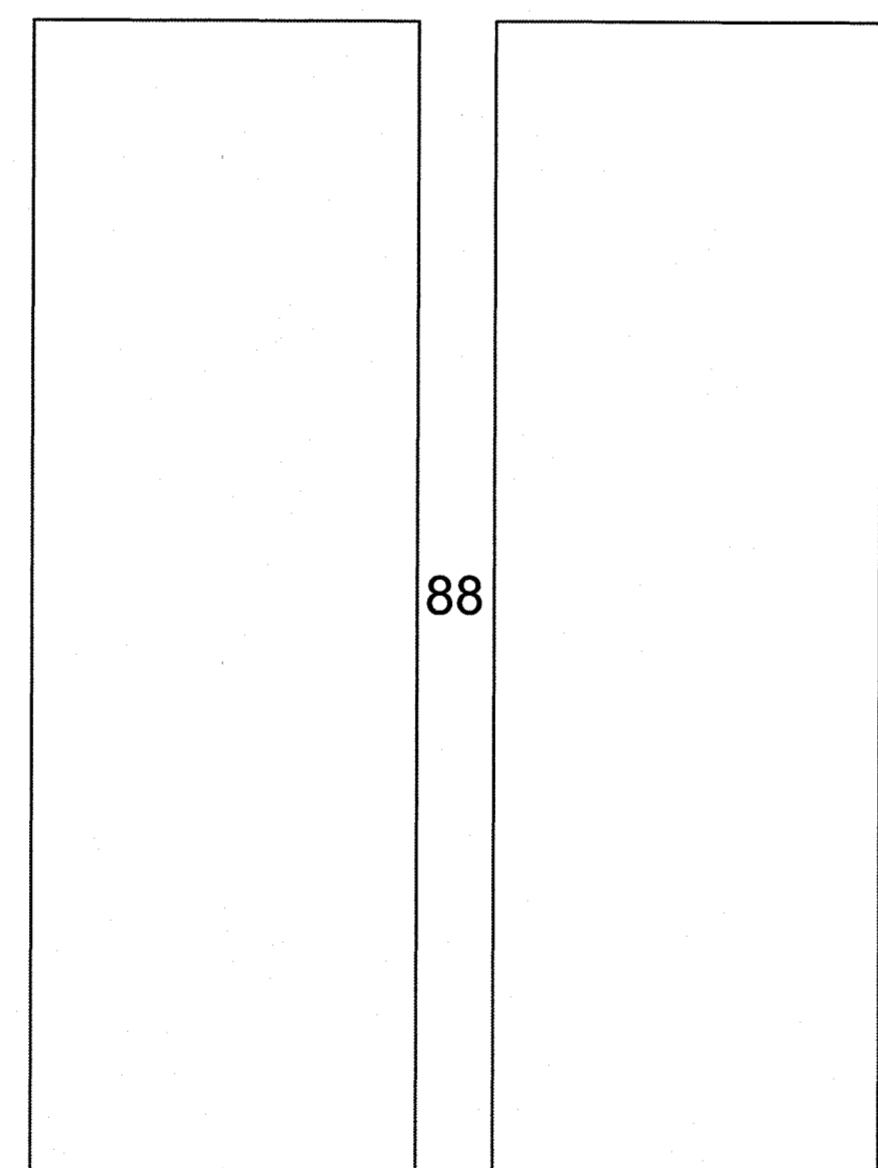
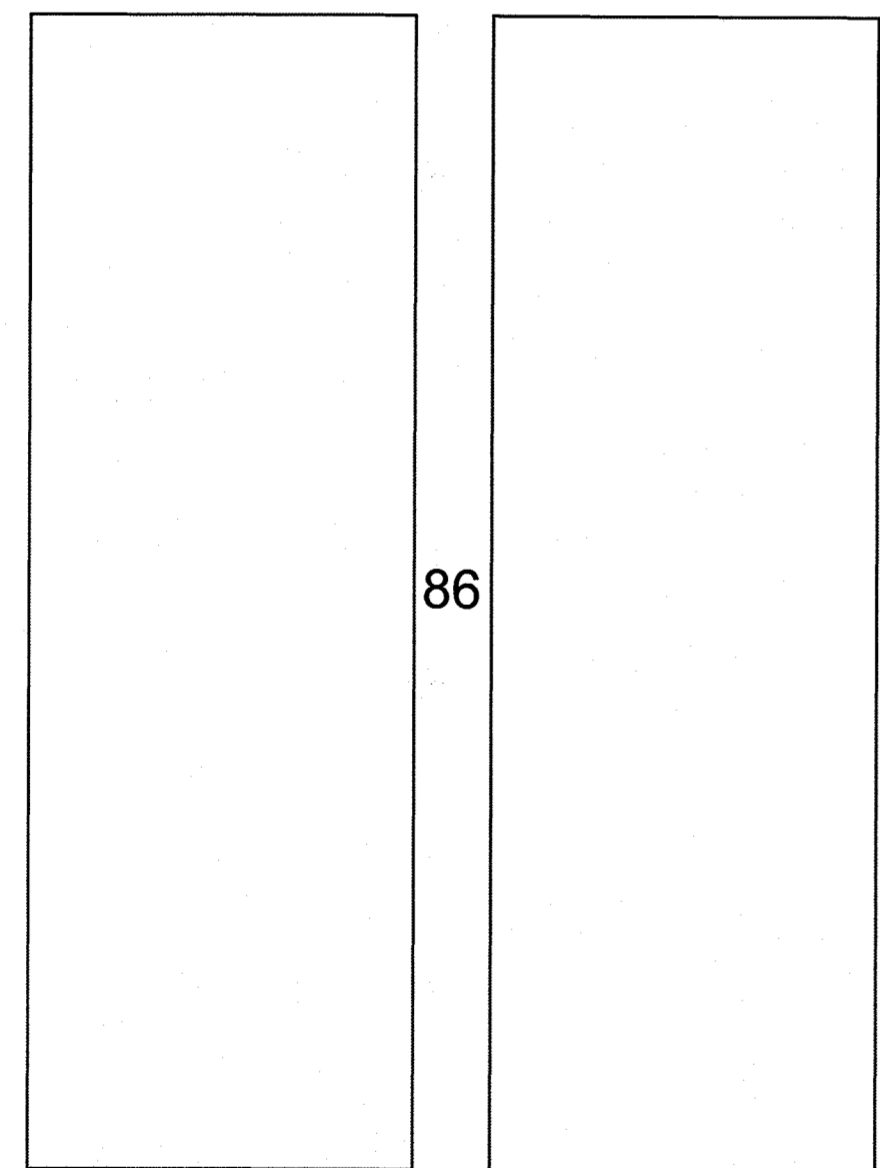
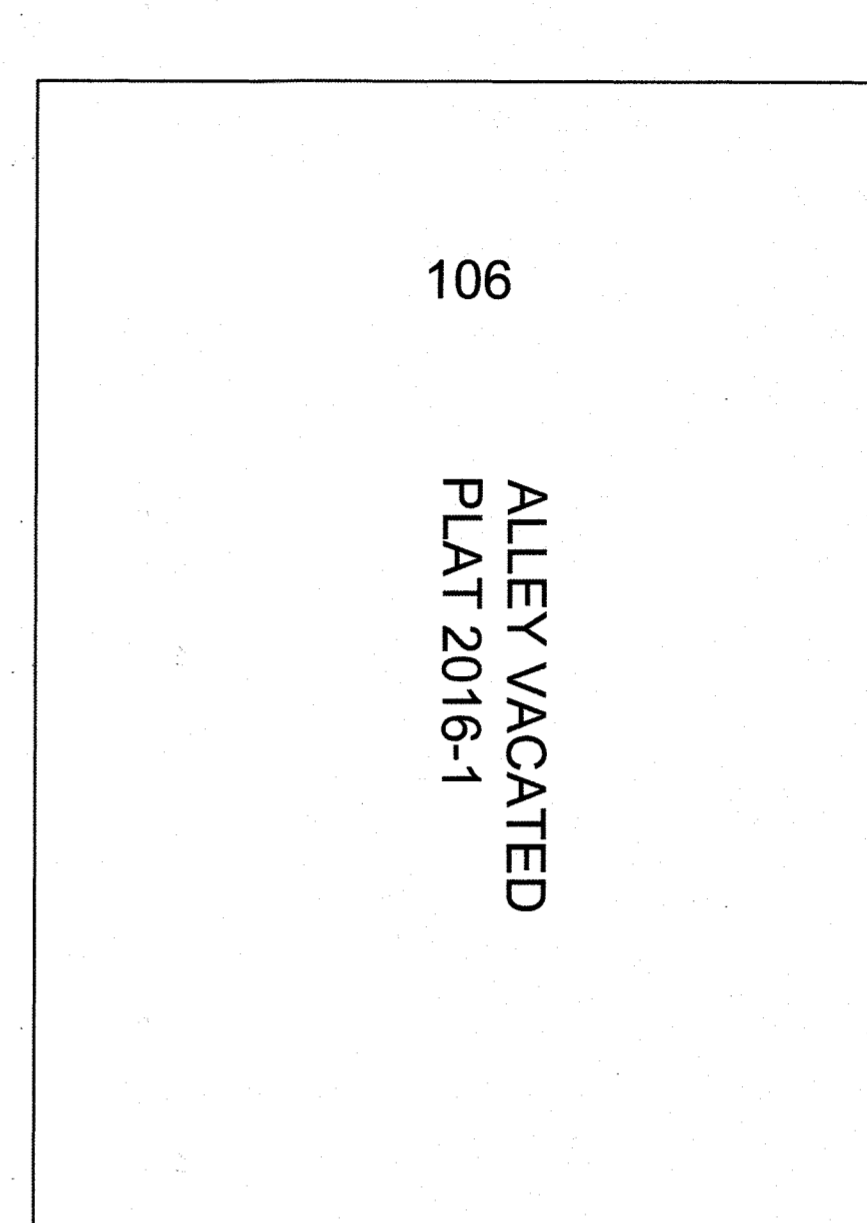
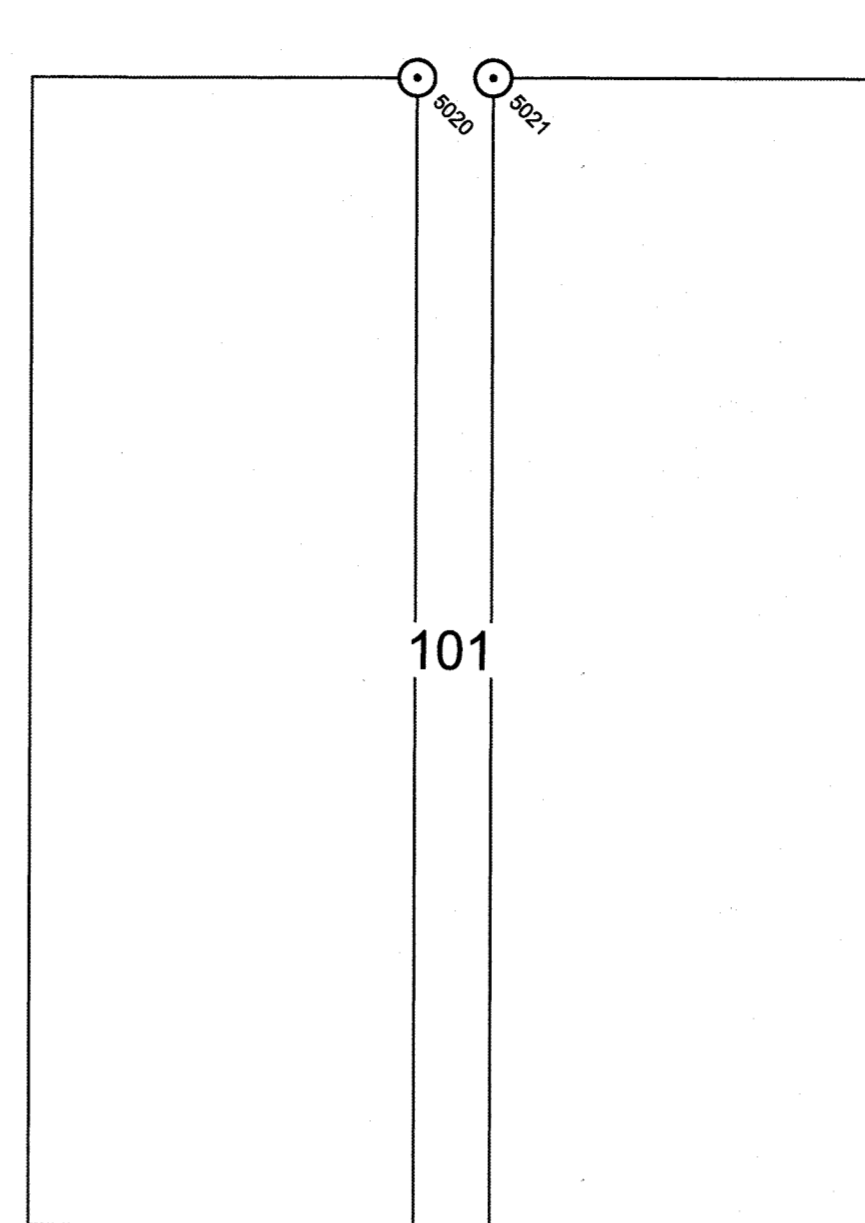
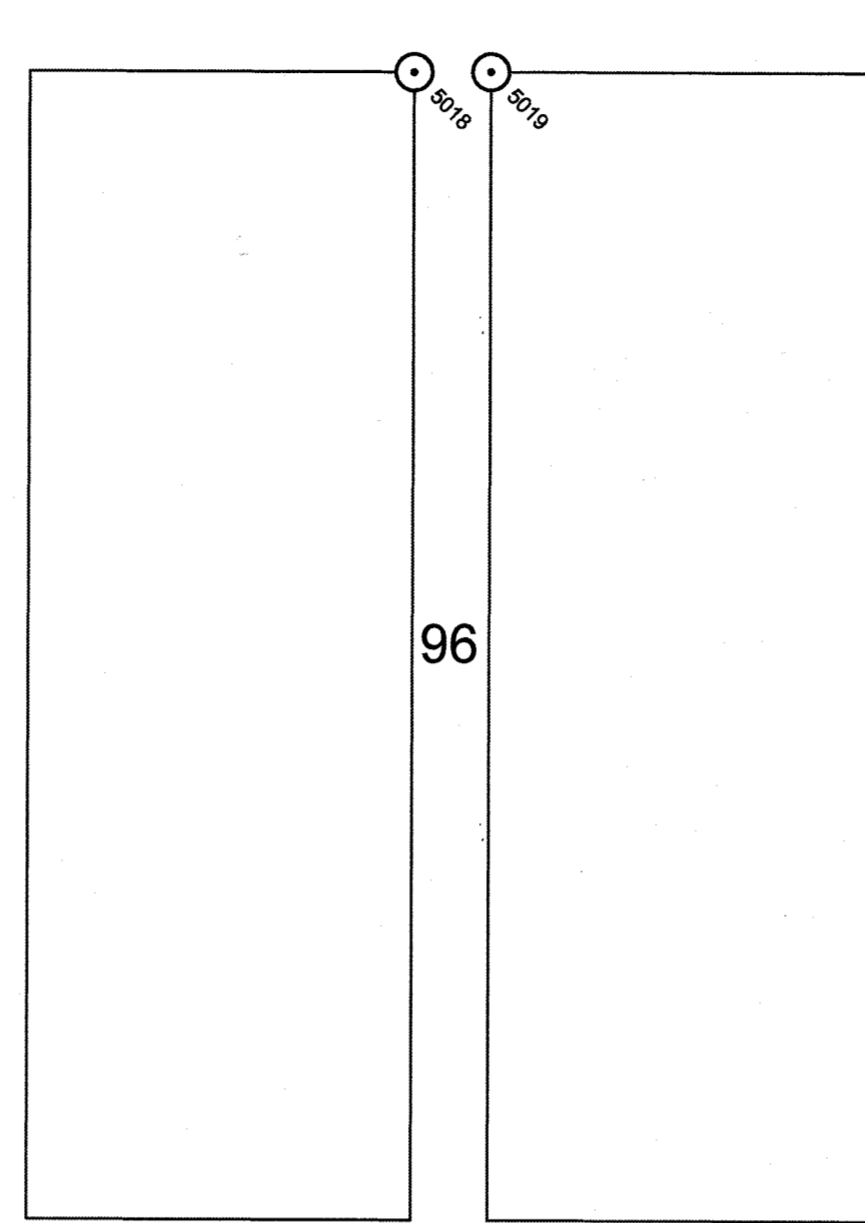
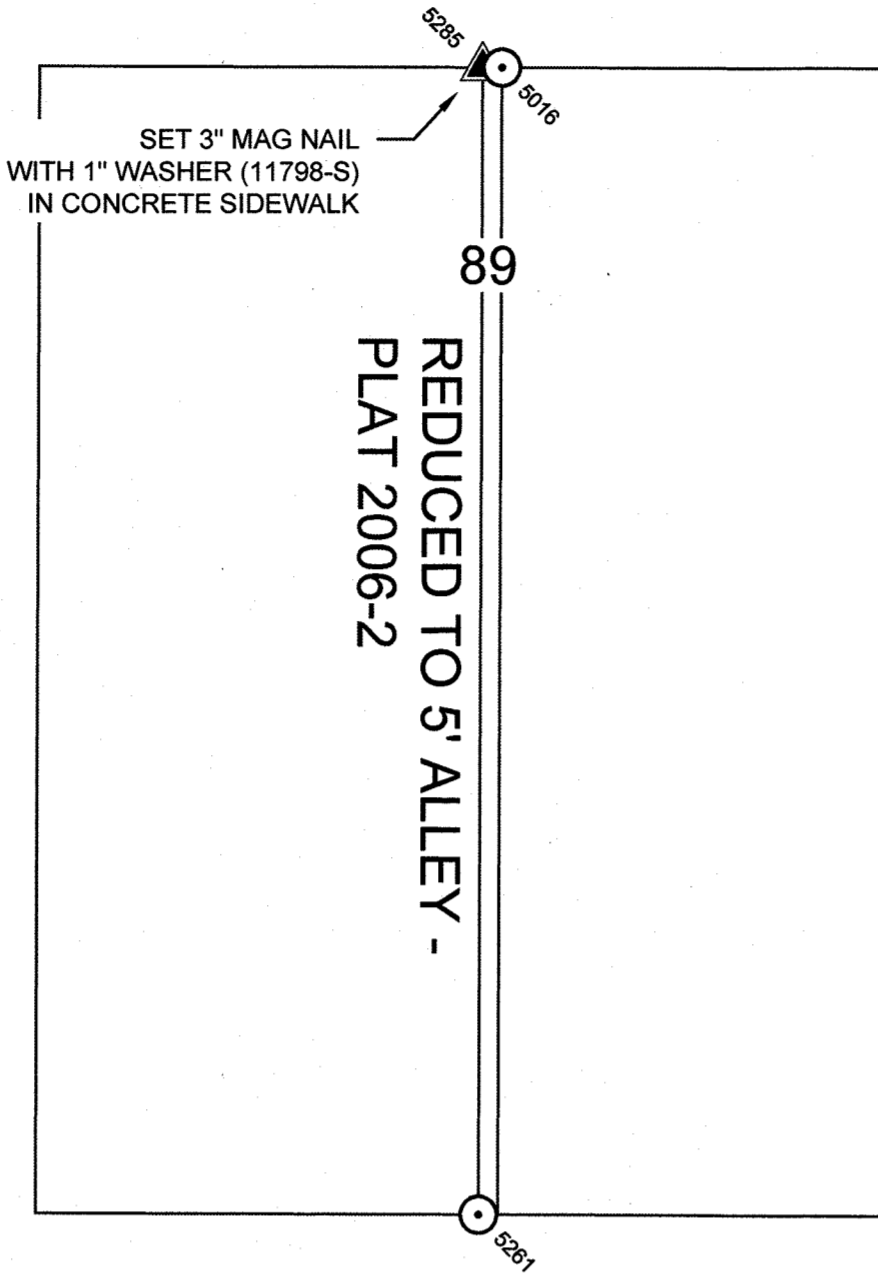
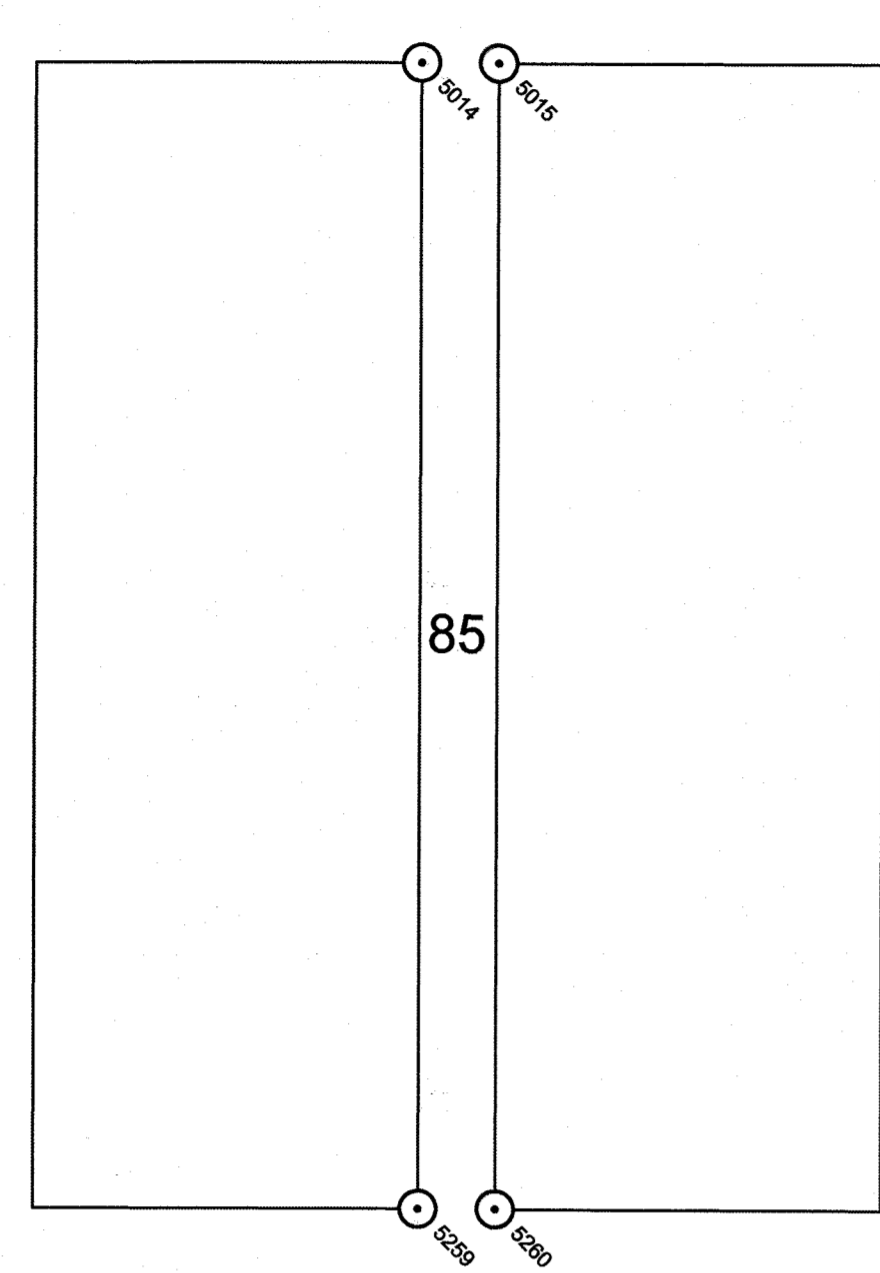
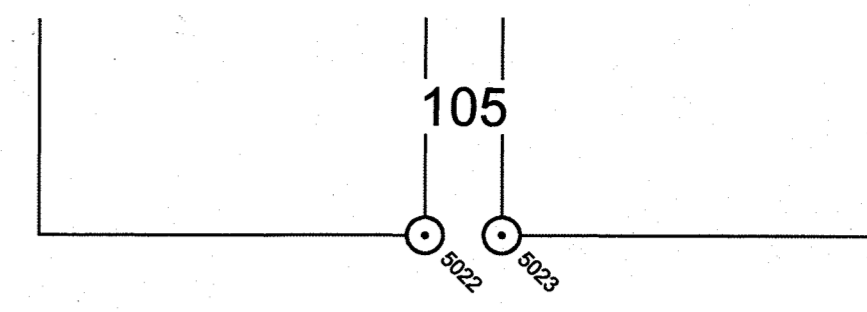
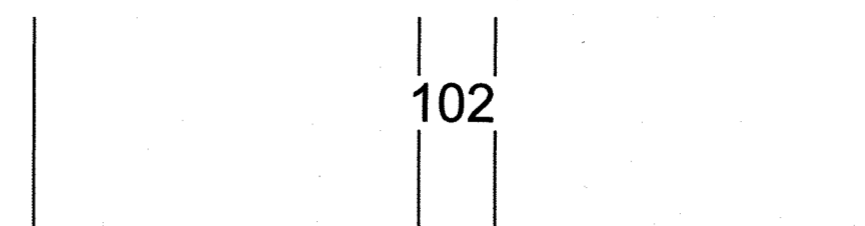
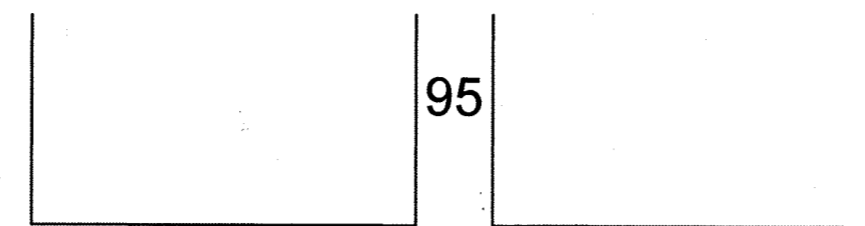
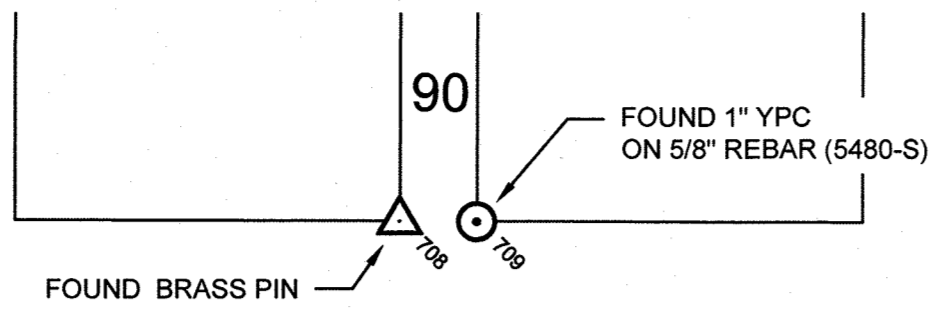
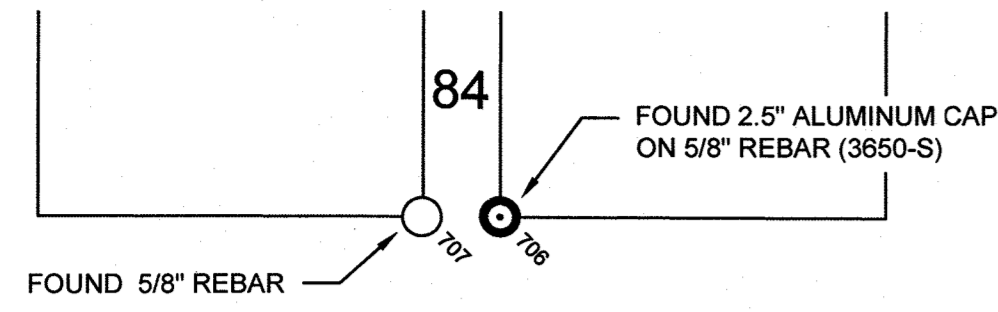
- FOUND PRIMARY CENTERLINE MONUMENT
- FOUND MAG NAIL/SPIKE/PIN
- FOUND PLASTIC CAP
- FOUND REBAR
- FOUND ALUMINUM CAP ON REBAR
- SET MAG NAIL/SPIKE
- SET PLASTIC CAP ON 5/8" REBAR (11798-S)
- PROPERTY LINE
- SURVEY TIE LINE
- FENCE
- YPC
- YELLOW PLASTIC CAP
- DENOTES PDC POINT NUMBER (TYP.)

	NAME OF SURVEYOR:
	PDC ENGINEERS
	9109 Mendenhall Mall Rd Ste 4 Juneau, Alaska 99801
	PH #: (907) 780-6060
PLAN • DESIGN • CONSTRUCT	CERT. OF AUTH. #: AECC605

RECORD OF SURVEY MUNICIPALITY OF SKAGWAY ALLEY MONUMENTATION WITHIN THE TOWNSHIP OF SKAGWAY, ALASKA	
OWNER:	SCALE
MUNICIPALITY OF SKAGWAY	SURVEYOR COR
PO BOX 415	DRAWN EPV
SKAGWAY, ALASKA 99840	CHECKED COR
	DATE 01/14/2021
SKAGWAY RECORDING DISTRICT	PROJECT NO. 20188JN
	SHEET NUMBER 9 OF 12

SEE SHEET 4

SEE SHEET 5



SEE SHEET 9

SEE SHEET 11

THIRTEENTH AVE

FOURTEENTH AVE

FIFTEENTH AVE

SIXTEENTH AVE

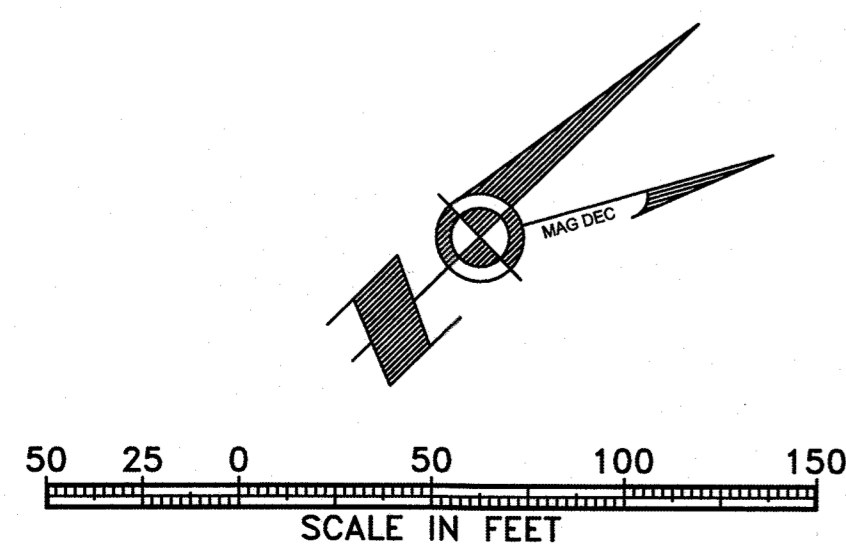
SEVENTEENTH AVE

EIGHTEENTH AVE

STATE STREET

BROADWAY STREET

SPRING STREET



LEGEND

- FOUND PRIMARY CENTERLINE MONUMENT
- FOUND MAG NAIL/SPIKE/PIN
- FOUND PLASTIC CAP
- FOUND REBAR
- FOUND ALUMINUM CAP ON REBAR
- SET MAG NAIL/SPIKE
- SET PLASTIC CAP ON 5/8" REBAR (11798-S)
- PROPERTY LINE
- YELLOW PLASTIC CAP
- DENOTES PDC POINT NUMBER (TYP.)

	NAME OF SURVEYOR:
	PDC ENGINEERS 9109 Mendenhall Mall Rd Ste 4 Juneau, Alaska 99801 PH #: (907) 780-6060
	CERT. OF AUTH. #: AECC605
	PLAN • DESIGN • CONSTRUCT

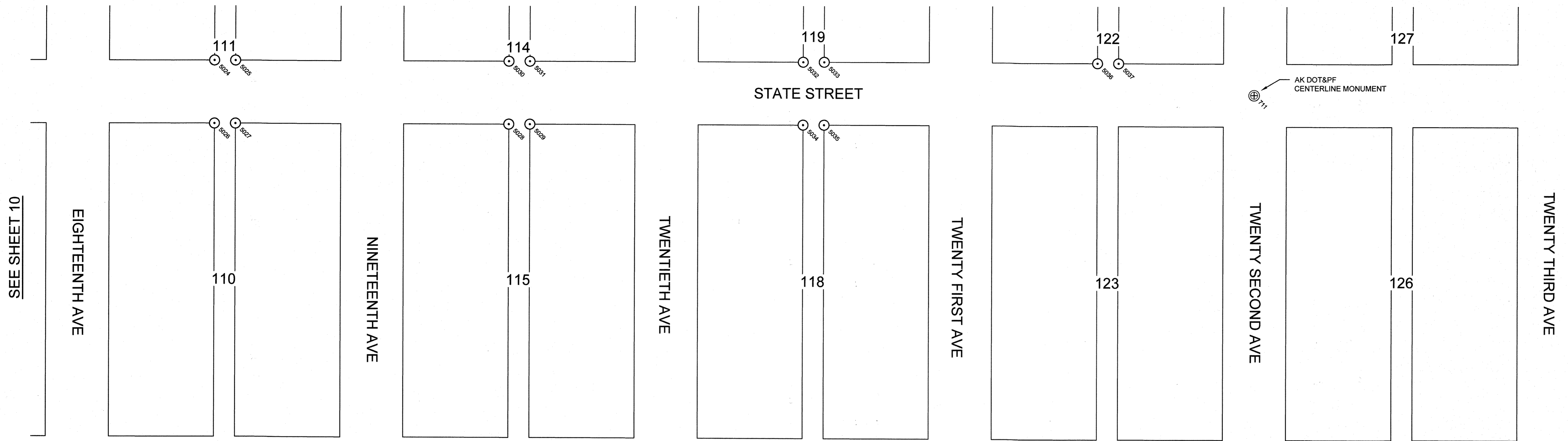
RECORD OF SURVEY
MUNICIPALITY OF SKAGWAY
 ALLEY MONUMENTATION
 WITHIN THE TOWNSITE OF SKAGWAY, ALASKA

OWNER:	SCALE:
MUNICIPALITY OF SKAGWAY PO BOX 415 SKAGWAY, ALASKA 99840	SURVEYOR COR. DRAWN EPV CHECKED COR. DATE 01/14/2021
SKAGWAY RECORDING DISTRICT	PROJECT NO. 2018BJN SHEET NUMBER 10 OF 12

C:\Users\mchugh\OneDrive\Temp\Map\adobe\34012\REF_ACS_2018\JK 10 01142021 - 11.dwg

SEE SHEET 5

SEE SHEET 6



AK DOT&PF CENTERLINE MONUMENT

SEE SHEET 10

TWENTY THIRD AVE

TWENTY SECOND AVE

TWENTY FIRST AVE

TWENTIETH AVE

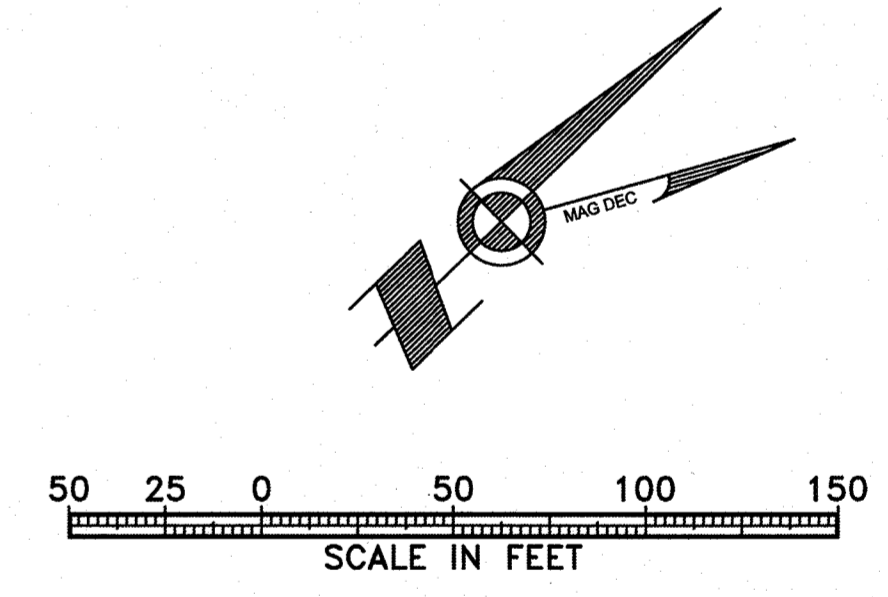
NINETEENTH AVE

EIGHTEENTH AVE

RECOVERED MONUMENTS			
POINT No.	NORTHING	EASTING	DESCRIPTION
1	10000.00	10000.00	FOUND DOT CENTERLINE MONUMENT
2	11997.10	11962.55	FOUND DOT CENTERLINE MONUMENT
700	13195.18	13140.05	FOUND DOT CENTERLINE MONUMENT
704	12111.10	12033.07	FOUND 1" YPC (11798-S)
705	11711.38	11639.77	FOUND MAG NAIL WITH WASHER
706	12524.54	12438.73	FOUND 2 1/2" ALUM. CAP (3650-S)
707	12509.98	12424.61	FOUND REBAR
708	12709.90	12620.97	FOUND BRASS PIN
709	12724.09	12635.07	FOUND 1" YPC (5480-S)
711	14193.25	14120.71	FOUND DOT CENTERLINE MONUMENT
713	14574.22	13948.32	FOUND REBAR
717	11522.22	11033.30	FOUND REBAR
718	11578.53	11004.52	FOUND 1" YPC (ILLEGIBLE)
719	11122.91	10640.72	FOUND 1" YPC (TONER & NORDLING)
720	10779.94	10219.14	FOUND 1" YPC (7570-S)
721	10580.14	10023.07	FOUND REBAR
722	10324.06	9855.68	FOUND 1" YPC (5713-S)
725	10546.48	11041.80	FOUND 2" ALUM. CAP

RECOVERED MONUMENTS			
POINT No.	NORTHING	EASTING	DESCRIPTION
728	10113.77	10069.78	FOUND 1" YPC (11759-S)
729	9928.29	9887.50	FOUND REBAR
730	9871.99	9916.19	FOUND 3/4" IRON ROD
731	11417.20	10341.21	FOUND 2 1/2" ALUM. CAP (11798-S)
733	11175.45	10187.77	FOUND REBAR
734	11789.50	10790.11	FOUND 1" YPC (1410-S)
735	12190.58	11182.27	FOUND 1" YPC (ILLEGIBLE)
736	12388.00	11379.30	FOUND 1" YPC (5713-S)
737	12629.88	11532.80	FOUND 1/2" STEEL PIN
738	13187.08	12164.89	FOUND 1" IRON PIN
739	13172.66	12150.90	FOUND 1/2" IRON PIN
740	14385.17	13340.77	FOUND 1" YPC (7570-S)
741	14370.93	13326.54	FOUND 1" YPC (7570-S)
742	14185.54	13144.59	FOUND 1" YPC (7570-S)
743	14171.18	13130.56	FOUND 1" YPC (7570-S)
744	13986.03	12948.54	FOUND 1" YPC (7570-S)
745	13971.37	12935.43	FOUND PRIMARY MONUMENT (1410-S)
746	14771.52	13720.00	FOUND 1" YPC (5713-S)

RECOVERED MONUMENTS			
POINT No.	NORTHING	EASTING	DESCRIPTION
748	10274.40	10733.04	FOUND 1" YPC (ILLEGIBLE)
749	10346.79	10845.54	FOUND 2" ALUM. CAP
750	10147.09	10649.26	FOUND 2" ALUM. CAP
752	9746.48	10257.10	FOUND 2" ALUM. CAP
753	10746.18	11238.08	FOUND DOT CENTERLINE MONUMENT
754	10945.86	11434.35	FOUND 2" ALUM. CAP
756	10618.22	11154.32	FOUND 2" ALUM. CAP
757	10208.29	11172.01	FOUND 1" YPC (ILLEGIBLE)
758	11073.94	11518.04	FOUND 1" YPC (ILLEGIBLE)
759	11031.82	11560.97	FOUND 1" YPC (5713-S)
760	11631.00	12149.61	FOUND 1" YPC (3650-S)
761	11658.79	12092.77	FOUND REBAR
762	11217.40	11743.21	FOUND REBAR
763	11469.66	11486.30	FOUND REBAR
764	11417.04	11939.33	FOUND REBAR
765	11858.54	12289.06	FOUND 3 1/2" ALUM. CAP
766	11830.79	12345.84	FOUND 1" YPC (7570-S)
767	11284.23	11304.11	FOUND MAG NAIL WITH 3/4" BRASS WASHER



LEGEND	
	FOUND PRIMARY CENTERLINE MONUMENT
	SET PLASTIC CAP ON 5/8" REBAR (11798-S)
	PROPERTY LINE
	YELLOW PLASTIC CAP
	DENOTES PDC POINT NUMBER (TYP.)

	NAME OF SURVEYOR: PDC ENGINEERS 9109 Mendenhall Mall Rd Ste 4 Juneau, Alaska 99801 PH #: (907) 780-6060 CERT. OF AUTH. #: AECC605
	<p align="center">RECORD OF SURVEY MUNICIPALITY OF SKAGWAY ALLEY MONUMENTATION WITHIN THE TOWNSHIP OF SKAGWAY, ALASKA</p>
OWNER: MUNICIPALITY OF SKAGWAY PO BOX 415 SKAGWAY, ALASKA 99840	SCALE SURVEYOR COR. DRAWN EPV CHECKED COR. DATE 01/14/2021 PROJECT NO. 20188JN SHEET NUMBER 11 OF 12
SKAGWAY RECORDING DISTRICT	

C:\Users\mchick\appdata\local\temp\pdc\pdc_20188JN_2021\PLAN_11_01142021_11.dwg

