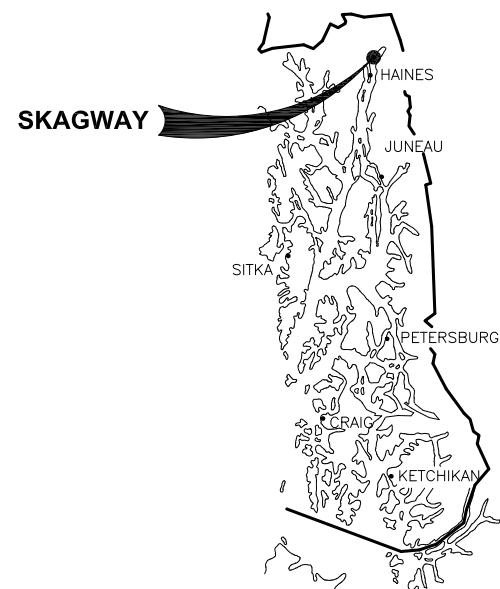


MUNICIPALITY OF SKAGWAY SKAGWAY SMALL BOAT HARBOR BOAT LAUNCH EXTENSION

65% DESIGN REVIEW SUBMITTAL

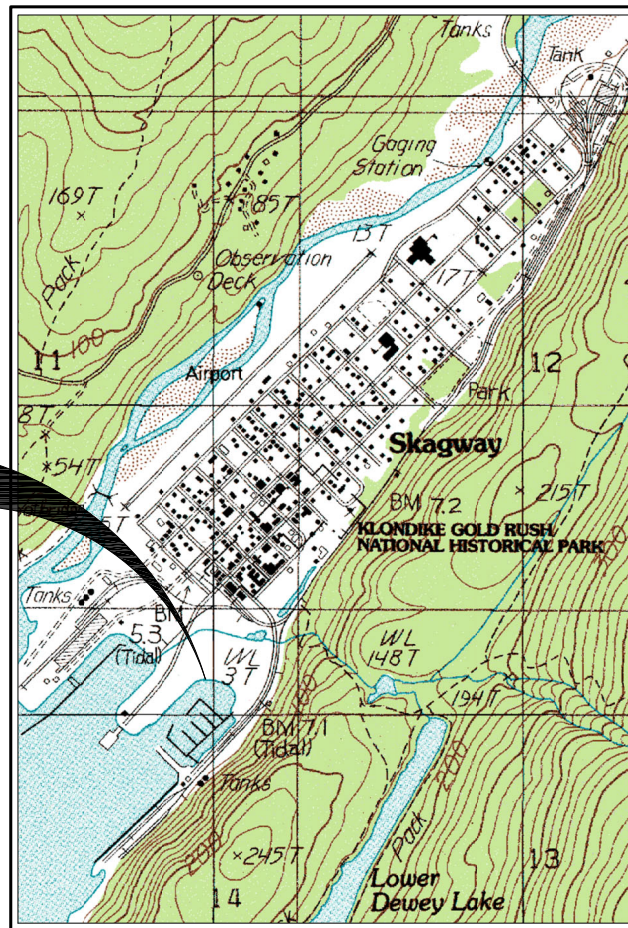


LOCATION
MAP



SOUTHEAST
ALASKA

PROJECT
LOCATION



VICINITY MAP

DRAWING INDEX	
DRAWING SHEET	TITLE
1	COVER SHEET, VICINITY MAP AND DRAWING INDEX
2	LEGEND, ABBREVIATIONS, GENERAL NOTES AND SURVEY CONTROL
3	EXISTING CONDITIONS
4	GENERAL SITE PLAN
5	BOAT LAUNCH RAMP TYPICAL SECTIONS
6	BOAT LAUNCH RAMP PLANK AND SLEEPER DETAILS
7	BOARDING FLOAT DETAILS
8	BOARDING FLOAT DETAILS
9	BOARDING FLOAT DETAILS
10	BOARDING FLOAT AND PILE DETAILS
ELECTRICAL	
E1	LEGEND, DETAIL, LUMINAIRE SCHEDULE
E2	ELECTRICAL SITE PLAN

PROJECT SCHEDULE	
DESCRIPTION	SCHEDULE
EARLIEST FIELD START	OCTOBER 15, 2022
SUBSTANTIAL COMPLETION	APRIL 15, 2023
FINAL COMPLETION	MAY 15, 2023

TIDAL DATA	
HIGHEST OBSERVED WATER LEVEL (HAT)	26.47'
MHHW	16.73'
MHW	15.73'
MTL	8.67'
MLW	1.62'
MLLW	0.00'
LOWEST OBSERVED WATER LEVEL (LAT)	-6.45'

SOURCE: NOAA SITE ACCEPTED DATE 4/29/14 STATION NO. 9452400.

PND ENGINEERS, INC. (PND) IS NOT RESPONSIBLE FOR SAFETY PROGRAMS, METHODS OR PROCEDURES OF OPERATION, OR THE CONSTRUCTION OF THE DESIGN SHOWN ON THESE DRAWINGS. DRAWINGS ARE FOR THE USE OF THIS PROJECT ONLY AND ARE NOT INTENDED FOR REUSE WITHOUT WRITTEN APPROVAL FROM PND. DRAWINGS ARE ALSO NOT TO BE USED IN ANY MANNER THAT WOULD CONSTITUTE A DETRIMENT DIRECTLY OR INDIRECTLY TO PND.

65% DESIGN REVIEW SUBMITTAL



REVISIONS					
REV.	DATE	DESCRIPTION	DWN.	CKD.	APP.

P | N | D
ENGINEERS, INC.

9360 Glacier Highway Ste 100
Juneau, Alaska 99801
Phone: 907-586-2093
Fax: 907-586-2099
www.pndengineers.com

DESIGN: BMI CHECKED: CRS SCALE: AS SHOWN
DRAWN: BMI APPROVED: _____

DATE: MAR. 25, 2022

**SKAGWAY SMALL BOAT HARBOR
BOAT LAUNCH EXTENSION**

SHEET TITLE: **COVER SHEET, VICINITY
MAP AND DRAWING INDEX**

PND PROJECT NO.: 212081 C.A.N.: AECC250

1
1 of 10

ABBREVIATIONS

A	AT	H	HUB & TACK	Q	QUANTITY
@	ASBESTOS CEMENT PIPE	HD	HEAVY DUTY	R	
AC	ASPHALT CONCRETE PAVEMENT	HDG	HOT-DIPPED GALVANIZED	RAD	RADIUS
ADJ	ADJUSTABLE	HDPE	HIGH DENSITY POLYETHYLENE	RE	RIM ELEVATION
ALUM	ALUMINUM	HORIZ	HORIZONTAL	REF	REFERENCE
APF	ASSOCIATED PILE AND FITTING CORP.	HSE	HOUSE	REINF	REINFORCEMENT
APPROX.	APPROXIMATE	HT	HEIGHT	REQD	REQUIRED
AV	AIR RELEASE VALVE	HWY.	HIGHWAY	RET	RETAINING
B		I		RO	ROUGH OPENING
BFV	BUTTERFLY VALVE	ID	INSIDE DIAMETER	ROW	RIGHT OF WAY
BLDG	BUILDING	IE	INVERT ELEVATION	S	
BOP	BEGINNING OF PROJECT	IN	INCH	S	SOUTH
BTM,BOT	BOTTOM	IP	IRON PIPE	SCHED	SCHEDULE
BTWN	BETWEEN	INCL	INCLUDE (D) (ING)	SD	STORM DRAIN
C		INSUL	INSULATE (D) (ION)	SDI	STORM DRAIN INLET STRUCTURE
C&G	CURB & GUTTER	INV	INVERT	SDO	STORM DRAIN OUTLET STRUCTURE
CB	CATCH BASIN	J		SDR	STANDARD DIMENSION RATIO
CI	CAST IRON	JB	JUNCTION BOX	SF	SQUARE FOOT
CIP	CAST-IN-PLACE	K		SHLDR	SHOULDER
CJ	CONTROL JOINT	K	RATE OF CURVATURE	SHT	SHEET
C	CENTER LINE	L		SI	STREET INTERSECTION
CLR	CLEAR	LBS	POUNDS	SPEC	SPECIFICATION (S)
CMP	CORRUGATED METAL PIPE	LF	LINEAR FEET	SQ	SQUARE
CO	CLEANOUT	LL	LIVE LOAD	SSC	SANITARY SEWER CONNECTION
C.O.E.	CORPS OF ENGINEERS	LOC	LOCATION	SS	STAINLESS STEEL, SANITARY SEWER
CONC.	CONCRETE	LONG	LONGITUDINALLY	SDMH	STORM DRAIN MANHOLE
CP	COMPLETE PENETRATION	LS	LUMP SUM	SSMH	SANITARY SEWER MANHOLE
CPP	CORRUGATED POLYETHYLENE PIPE	LVC	LENGTH OF VERTICAL CURVE	STA	STATION
COR	CORNER	M		STD	STANDARD
CSC	COUNTERSINK	MAX	MAXIMUM	STL	STEEL
CTR	CENTER	MECH	MECHANICAL	STRG	STRONG
CY	CUBIC YARD	MFR	MANUFACTURE (R)	SV	SEWER VALVE
D		MH	MANHOLE	SW	SIDEWALK
D/DIA	DIAMETER	MI	MALLEABLE IRON	SWR	SEWER
DBL	DOUBLE	MIN	MINIMUM	SY	SQUARE YARD
DL	DEAD LOAD	MLLW	MEAN LOWER LOW WATER	SYMM	SYMMETRICAL
DIP	DUCTILE IRON PIPE	MSF	1000 SQUARE FEET	T	
DIM	DIMENSION	MSE	MECHANICALLY STABILIZED EARTH	T&B	TOP AND BOTTOM
DN	DOWN	MTL	MATERIAL (S)	T&G	TONGUE AND GROOVE
DTL	DETAIL	N		t	THICK
E		N	NORTH	TBC	TOP BACK OF CURB
E	EAST	NFS	NON FROST SUSCEPTIBLE	TBM	TEMPORARY BENCH MARK
EA.	EACH	NIC	NOT IN CONTRACT	TD	TRENCH DRAIN
EJ	EXPANSION JOINT	NO	NUMBER	TEL	TELEPHONE
EL/ELEV	ELEVATION	NTS	NOT TO SCALE	TEMP	TEMPERATURE, TEMPORARY
EOP	END OF PROJECT	O		TH	TEST HOLE
EQ	EQUAL	OBD	OVERBURDEN	THK	THICK
EQUIP	EQUIPMENT	OC	ON CENTER	TRANS	TRANSVERSE
EST	ESTIMATE	OD	OUTSIDE DIAMETER	TV	TELEVISION
EXC	EXCAVATE	OG	ORIGINAL GROUND	TYP	TYPICAL
EVCE	END VERTICAL CURVE ELEVATION	OHE	OVERHEAD ELECTRICAL	U	
EVCS	END VERTICAL CURVE STATION	O.O.	OUTSIDE TO OUTSIDE	UBC	UNIFORM BUILDING CODE
EXIST	EXISTING	OWS	OIL-WATER SEPARATOR	UE	UNDERGROUND ELECTRIC
F		OPP	OPPOSITE	UMC	UNIFORM MECHANICAL CODE
FC	FACE OF CURB	P		UHMW	ULTRA HIGH MOLECULAR WEIGHT
FD	FLOOR DRAIN	P	PIPE	UON	UNLESS OTHERWISE NOTED
FF	FINISHED FLOOR	PC	POINT OF CURVATURE, PIECE	UPC	UNIFORM PLUMBING CODE
FH	FIRE HYDRANT, FLAT HEAD	PCC	PRECAST CONCRETE	V	
FIN	FINISH (ED)	PE	PEDESTAL	VB	VALVE BOX
FM	FORCE MAIN SEWER	PER	PERIMETER	VERT	VERTICAL
FND	FOUNDATION	PERF	PERFORATE (D)	W	
FT	FOOT	PI	POINT OF INTERSECTION	W	WEST
FTG	FOOTING	PLWD	PLYWOOD	W/	WITH
FL	FLOWLINE	PL	PROPERTY LINE, PLATE	WD	WOOD
G		PROJ	PROJECT	WELDMT	WELDMENT
GA	GAUGE	PRV	PRESSURE REDUCING VALVE	WL	WATERLINE
GAL	GALLON	PSI	POUND PER SQUARE INCH	WV	WATER VALVE
GALV	GALVANIZED	PT	POINT, PRESSURE TREATED, POINT OF TANGENCY	W/O	WITHOUT
GB	GRADE BREAK	PVC	POINT OF VERTICAL CURVATURE, POLY VINYL CHLORIDE	X	
GPM	GALLONS PER MINUTE	PVC	POINT OF VERTICAL INTERSECTION	XFMR	TRANSFORMER
GRD	GROUND			<PT	ANGLE POINT
GV	GATE VALVE				

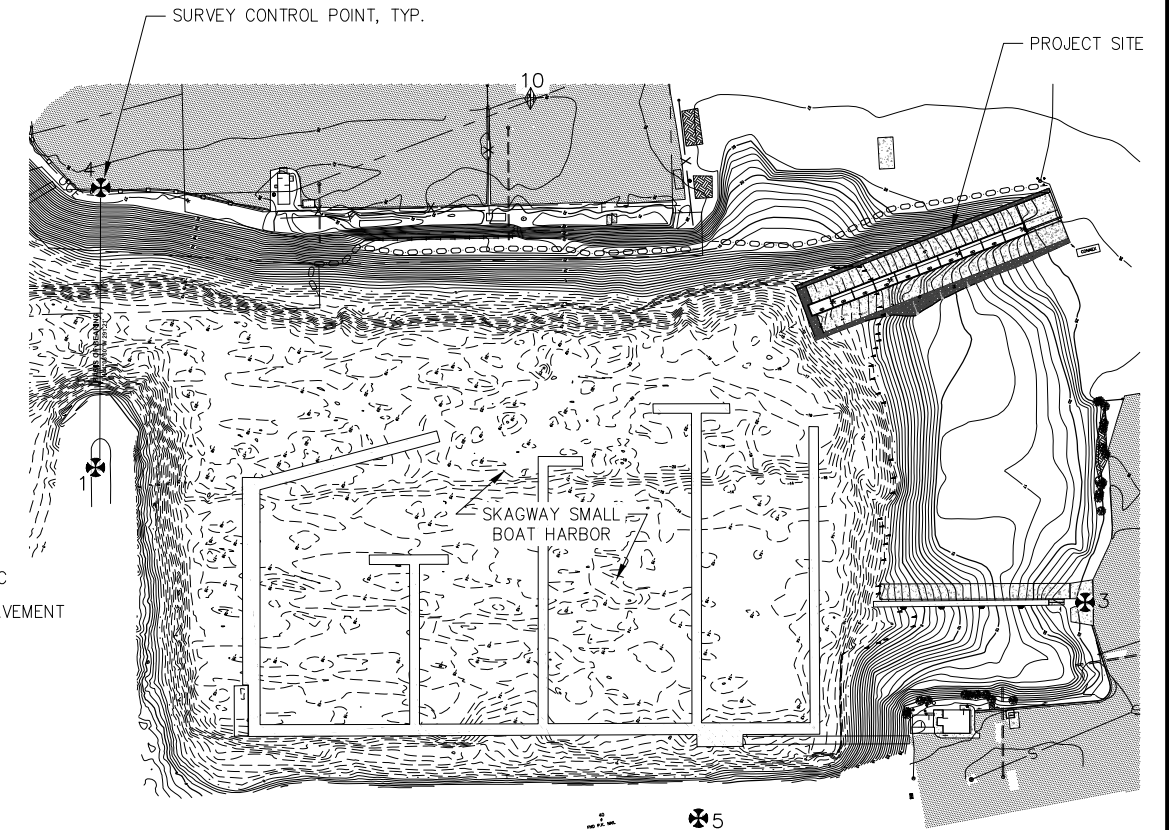
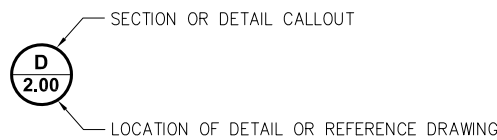
GENERAL NOTES

- CONTRACTOR SHALL INSTALL TEMPORARY DEVICES CONSISTING OF BUT NOT LIMITED TO STRAW BALES, FILTER FABRIC FENCES, SETTLING POND, ETC., TO PROHIBIT SILT LADEN DEWATERING EFFLUENT AND OTHER CONSTRUCTION RUNOFF FROM ENTERING ADJACENT STREAMS OR WATER BODIES. CONTRACTOR IS RESPONSIBLE FOR THE QUALITY OF THE DEWATERING EFFLUENT AND OTHER CONSTRUCTION RUNOFF THAT ENTERS ADJACENT STREAMS OR WATER BODIES AND IS, THEREFORE, RESPONSIBLE FOR VIOLATIONS AND PENALTIES FROM HIS OPERATIONS.
- PROPERTY DISTURBED DURING CONSTRUCTION SHALL BE RESTORED TO ITS PRE-CONSTRUCTION CONDITION OR BETTER AT NO ADDITIONAL COST.
- EXISTING UTILITIES & DRAIN PIPE LOCATIONS ARE DERIVED FROM FIELD LOCATES. ACTUAL LOCATIONS MAY VARY FROM THOSE SHOWN. CALL FOR ALL UTILITY LOCATES BEFORE YOU DIG.
- GRADING AND ALIGNMENT OF STRUCTURES & FINAL SURFACING ARE SUBJECT TO MINOR REVISIONS BY THE ENGINEER TO FIT SITE CONDITIONS. GRADE ALL IMPROVEMENTS WITH POSITIVE DRAINAGE AWAY FROM STRUCTURES.
- CONTAIN ALL FLOATING MATERIALS DURING CONSTRUCTION. ALL MATERIAL COLLECTED SHALL BE DISPOSED OF ON LAND IN SUCH A MANNER THAT IT CANNOT ENTER INTO THE WATERWAY OR CAUSE WATER QUALITY DEGRADATION OF WATERS OF THE STATE OR WATERS OF THE US.

DIAL BEFORE YOU DIG!
228-4727
UNDERGROUND POWER, TELEPHONE, T.V., WATER AND SEWER LINES ARE IN THE AREA. UTILITIES SHOWN HERE DO NOT SUBSTITUTE FOR FIELD LOCATES.

LEGEND

⊕	FOUND/SET SURVEY CONTROL, SEE TABLE.	⊕	PROPANE TANK
⊗	ELECTRIC TRANSFORMER	⊗	ASPEN TREE
○	POWER POLE	⊙	SPRUCE TREE
⌋	GUY ANCHOR	●	BOLLARD
⊗	OVERHEAD LIGHT	— F —	ABANDONED FUEL LINE
⊕	ELECTRIC METER	— W —	WOOD RETAINING WALL
⊕	LIGHT VAULT	— G —	GUARD RAIL
⊕	ELECTRIC OUTLET	— X —	CHAIN LINK FENCE
●	SONOTUBE	— B —	BUILDING LINE
⊕	WATER SPIGOT	— S —	SEWER LINE
⊕	KEY BOX	— W —	WATER LINE
⊕	STORM DRAIN CBMH	— OHE —	OVERHEAD ELECTRIC
⊕	SEWER LIFT STATION	— UGE —	UNDERGROUND ELECTRIC
●	SEWER CLEAN OUT	— ASP —	ASPHALT CONCRETE PAVEMENT
●	4" PVC VENT PIPES	— CON —	CONCRETE
⊕	SIGN	— LUM —	LUMBER PILE
⊕	HIGH GROUNDWATER		



SURVEY CONTROL				
PT #	NORTHING	EASTING	ELEVATION	DESCRIPTOR
①	2785305.500	2377647.390	26.40	FC.O.E.BREAKWATER 1959
③	2785922.800	2378480.180	25.40	C.O.E. SH-C 2000
④	2785514.480	2377444.580	27.61	C.O.E. SH-D 2000
⑤	2785480.320	2378347.550	28.44	C.O.E. SH-E 2000
⑩	2785896.430	2377696.183	28.01	SET NAIL W/ FLASHER

65% DESIGN REVIEW SUBMITTAL



REVISIONS					
REV.	DATE	DESCRIPTION	DWN.	CKD.	APP.



ENGINEERS, INC.

9360 Glacier Highway Ste 100
 Juneau, Alaska 99801
 Phone: 907-586-2093
 Fax: 907-586-2099
 www.pndengineers.com

DESIGN: BMI CHECKED: CRS SCALE: AS SHOWN
 DRAWN: BMI APPROVED: _____

DATE: MAR. 25, 2022

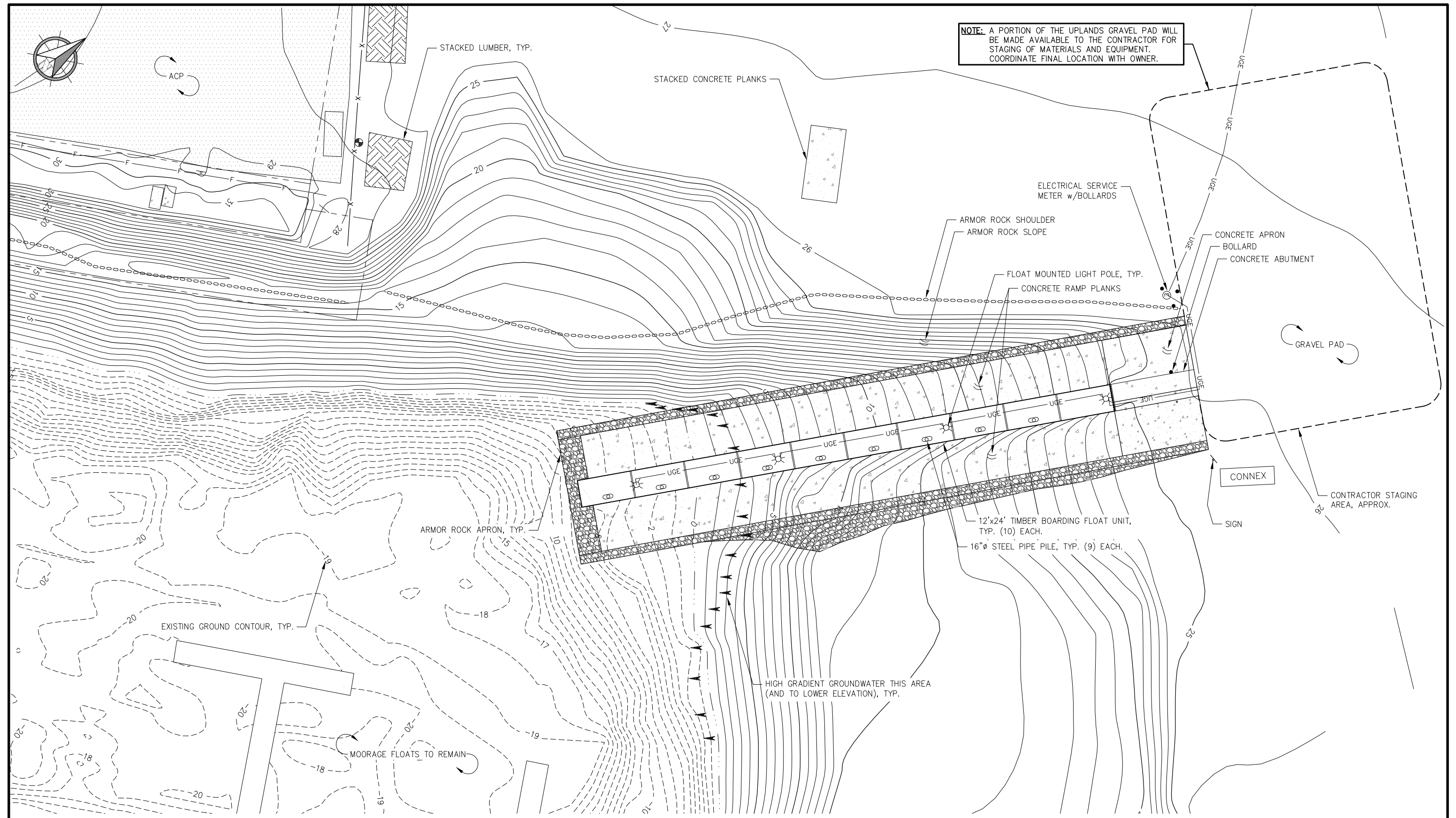
**SKAGWAY SMALL BOAT HARBOR
 BOAT LAUNCH EXTENSION**

SHEET TITLE:
**LEGEND, ABBREVIATIONS, GENERAL NOTES
 AND SURVEY CONTROL**

PND PROJECT NO.: 212081 C.A.N.: AECC250

2

2 of 10



NOTE: A PORTION OF THE UPLANDS GRAVEL PAD WILL BE MADE AVAILABLE TO THE CONTRACTOR FOR STAGING OF MATERIALS AND EQUIPMENT. COORDINATE FINAL LOCATION WITH OWNER.

65% DESIGN REVIEW SUBMITTAL



REVISIONS					
REV.	DATE	DESCRIPTION	DWN.	CKD.	APP.

P | N | D
ENGINEERS, INC.
 9360 Glacier Highway Ste 100
 Juneau, Alaska 99801
 Phone: 907-586-2093
 Fax: 907-586-2099
 www.pndengineers.com

DESIGN: BMI CHECKED: CRS
 DRAWN: BMI APPROVED: _____
 SCALE: SCALE IN FEET
 0 20 40 FT.

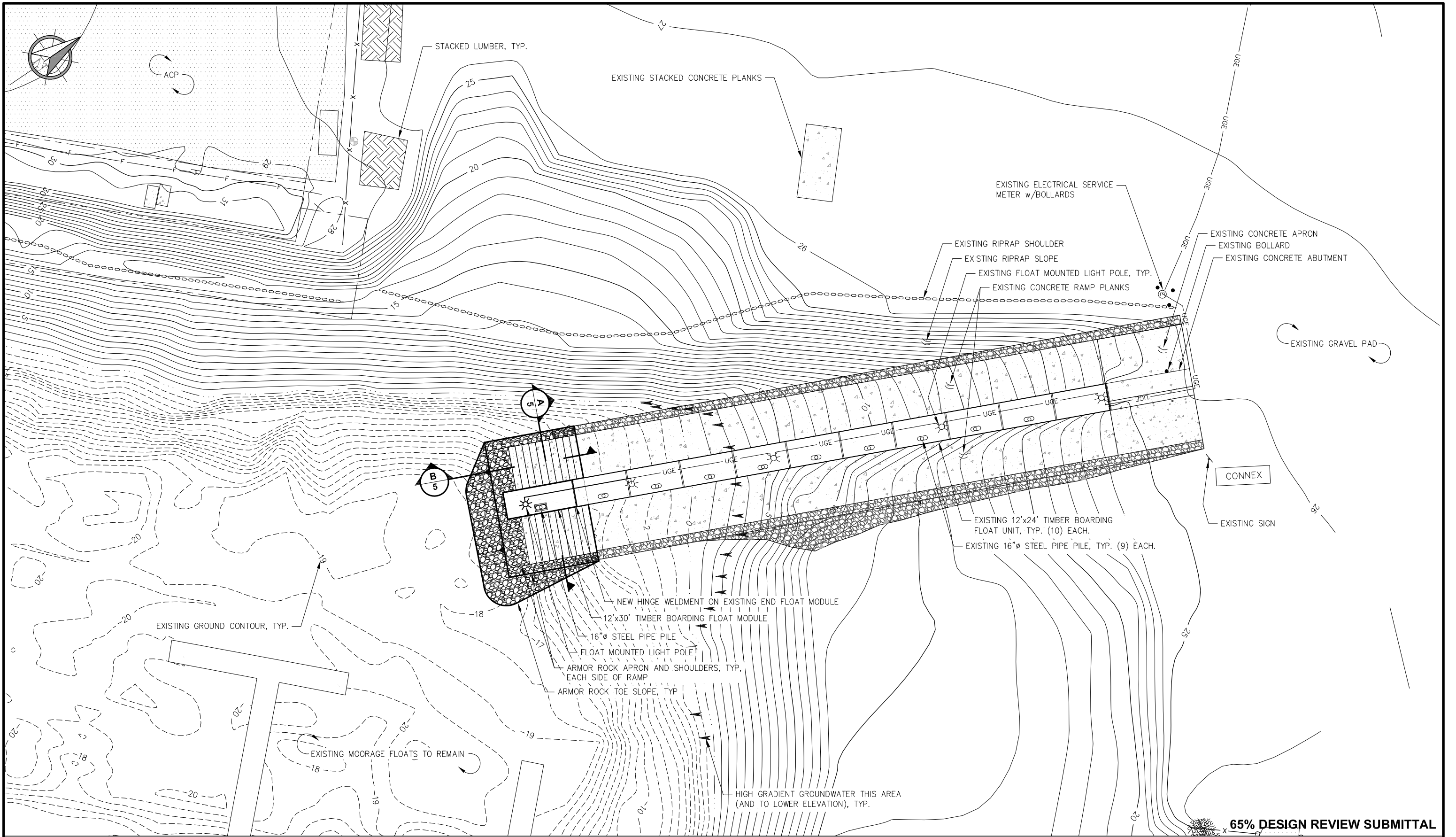
DATE: MAR. 25, 2022

**SKAGWAY SMALL BOAT HARBOR
 BOAT LAUNCH EXTENSION**

SHEET TITLE:
EXISTING CONDITIONS

PND PROJECT NO.: 212081 C.A.N.: AECC250

3
 3 of 10



65% DESIGN REVIEW SUBMITTAL



REVISIONS					
REV.	DATE	DESCRIPTION	DWN.	CKD.	APP.



9360 Glacier Highway Ste 100
 Juneau, Alaska 99801
 Phone: 907-586-2093
 Fax: 907-586-2099
 www.pndengineers.com

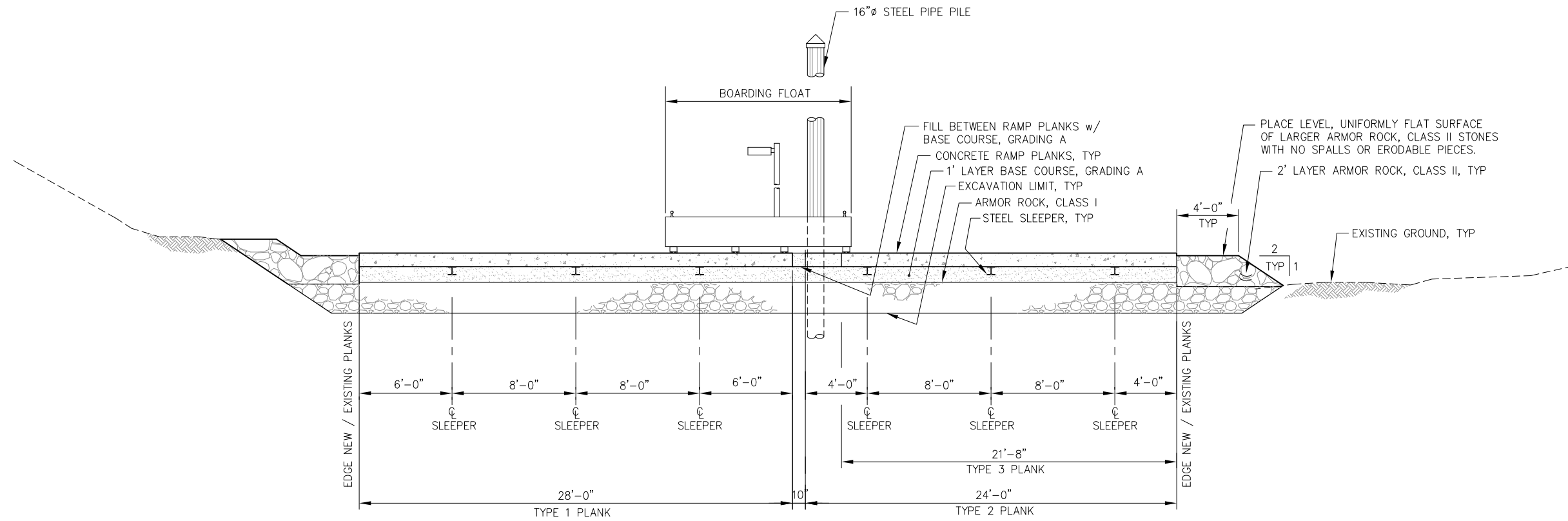
DESIGN: BMI CHECKED: CRS
 DRAWN: BMI APPROVED: _____
 SCALE: SCALE IN FEET
 0 20 40 FT.

DATE: MAR. 25, 2022

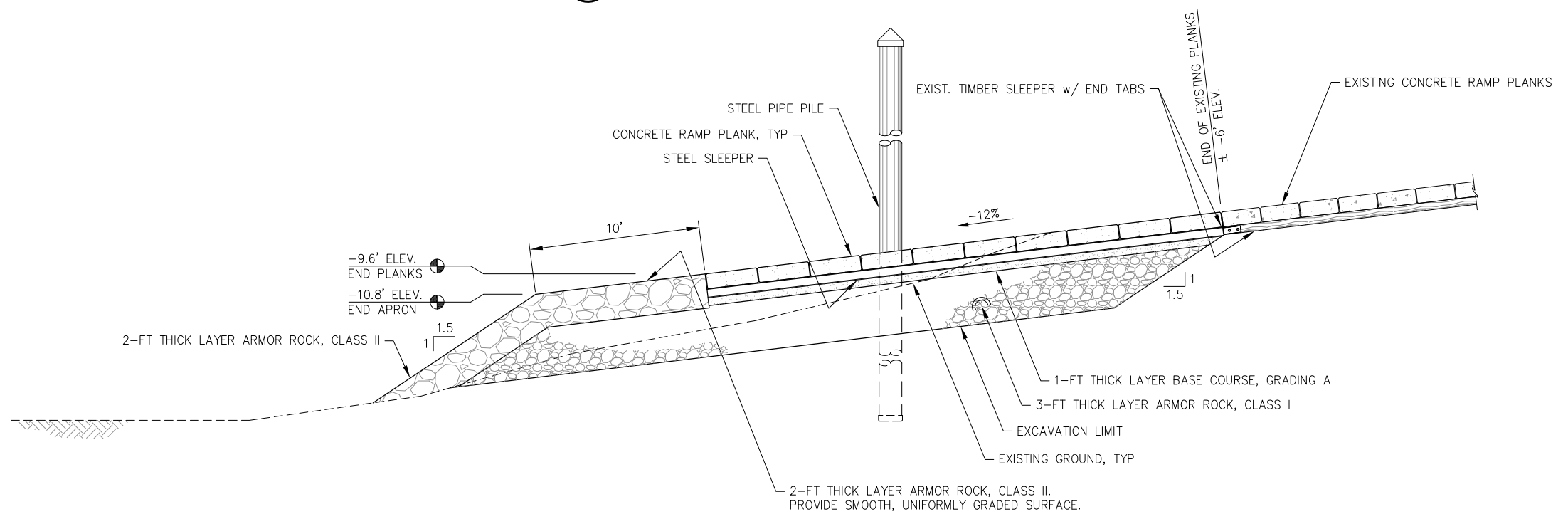
**SKAGWAY SMALL BOAT HARBOR
 BOAT LAUNCH EXTENSION**

SHEET TITLE:
GENERAL SITE PLAN

PND PROJECT NO.: 212081 C.A.N.: AECC250



A
4
**TYPICAL SECTION
BOAT LAUNCH RAMP**



B
4
**TYPICAL SECTION
BOAT LAUNCH RAMP**
NOTE: BOARDING FLOAT NOT SHOWN THIS VIEW.

65% DESIGN REVIEW SUBMITTAL



REVISIONS					
REV.	DATE	DESCRIPTION	DWN.	CKD.	APP.

P | N | D
ENGINEERS, INC.

9360 Glacier Highway Ste 100
Juneau, Alaska 99801
Phone: 907-586-2093
Fax: 907-586-2099
www.pndengineers.com

DESIGN: BMI CHECKED: CRS SCALE: NTS
DRAWN: BMI APPROVED: _____

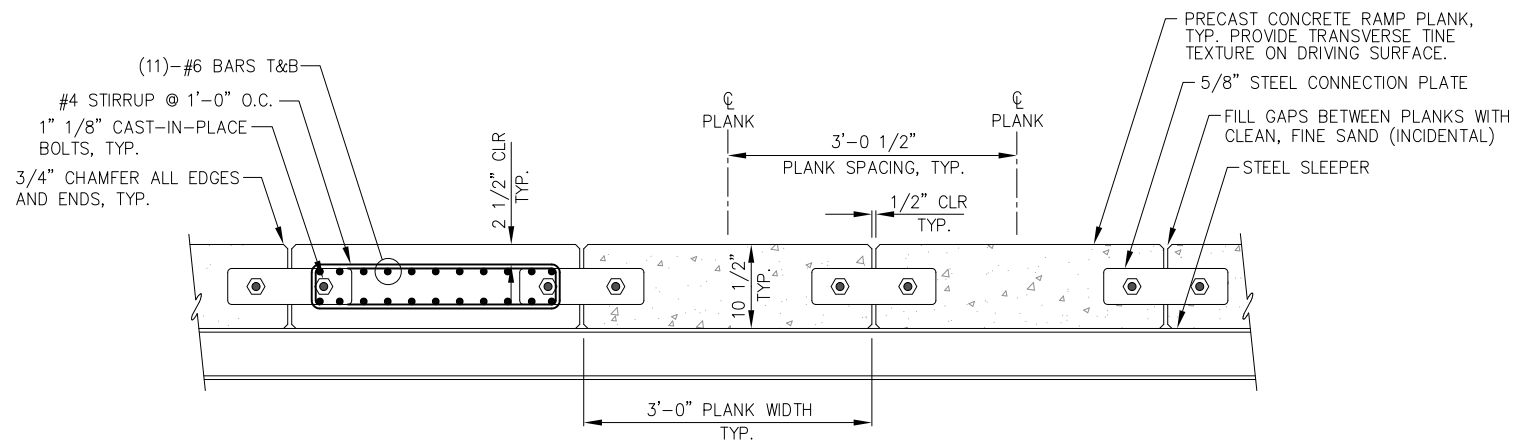
DATE: MAR. 25, 2022

**SKAGWAY SMALL BOAT HARBOR
BOAT LAUNCH EXTENSION**

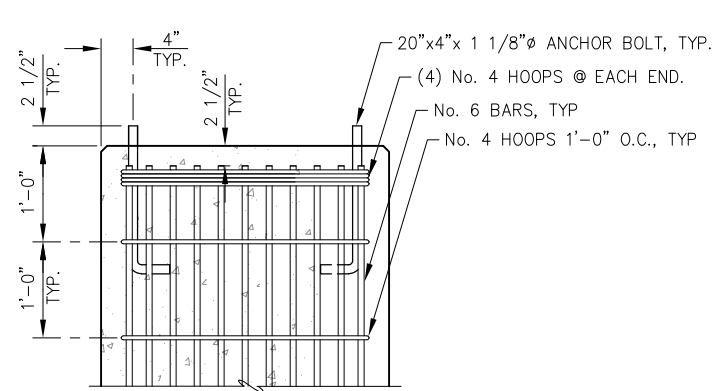
SHEET TITLE: **BOAT LAUNCH RAMP
TYPICAL SECTIONS**

PND PROJECT NO.: 212081 C.A.N.: AECC250

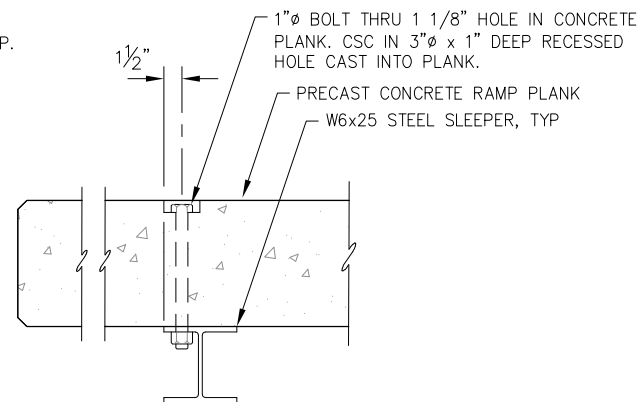
5
5 of 10



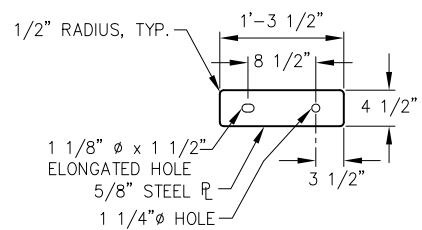
TYPICAL RAMP PLANK SECTION



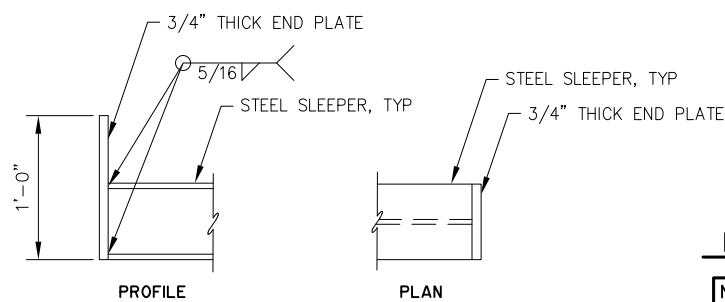
RAMP PLANK END - PLAN



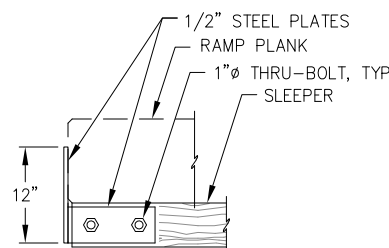
SLEEPER THRU-BOLT



RAMP PLANK CONNECTION PLATE SECTION

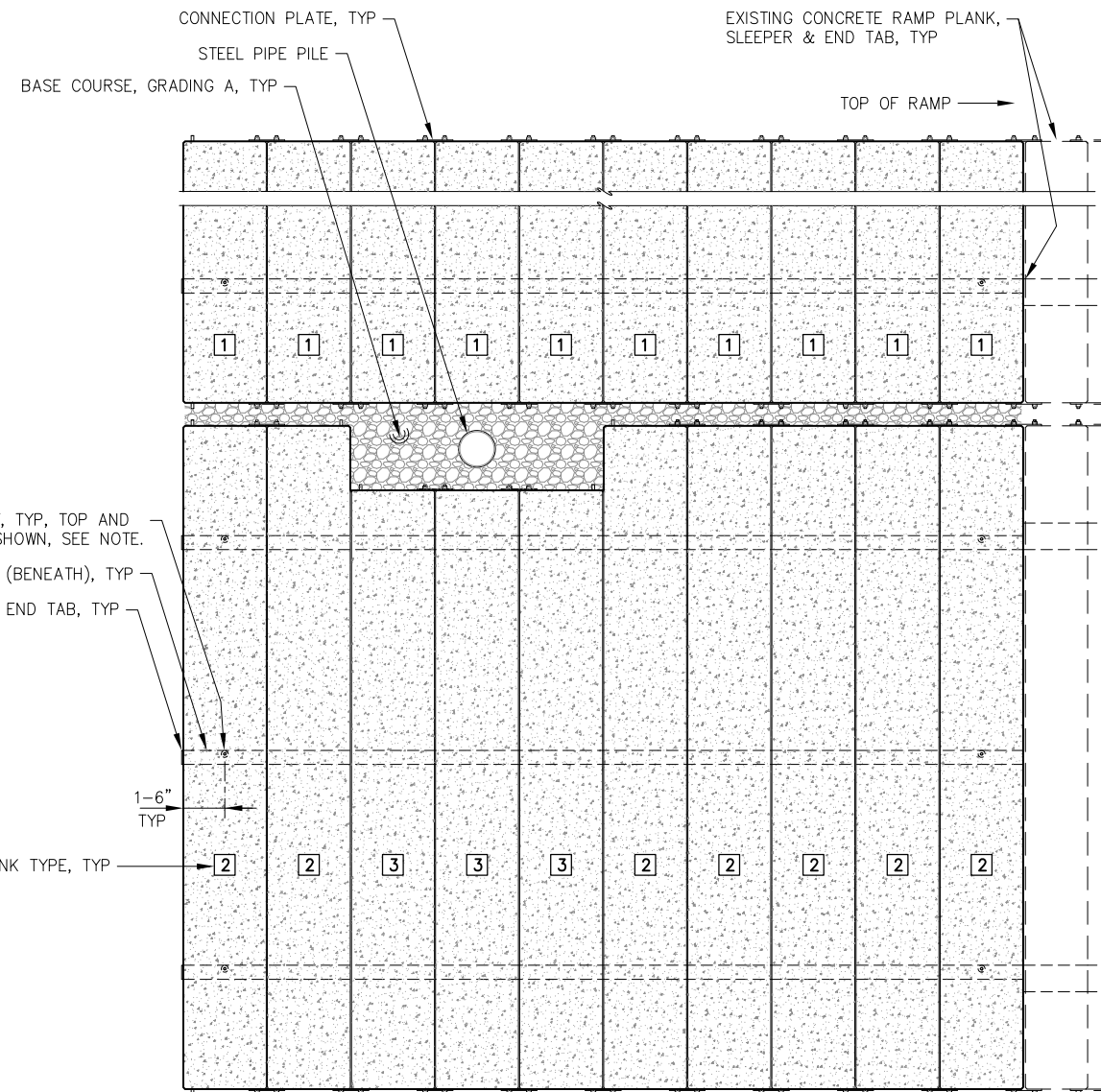


SLEEPER END TAB



EXISTING SLEEPER END TAB

NOTE: REMOVE EXISTING BOTTOM RAMP PLANK FROM EACH LANE AND REMOVE END TAB PLATES FROM EXISTING TIMBER SLEEPERS. REINSTALL EXISTING BOTTOM END PLANKS AND CONNECT TO NEW TOP PLANKS w/ NEW CONNECTION PLATE.



CONCRETE RAMP PLANKS - PLAN

RAMP PLANK SCHEDULE		
TYPE	QUANTITY	LENGTH
TYPE 1	10 TOTAL	28'-0"
TYPE 2	7 TOTAL	24'-0"
TYPE 3	3 TOTAL	21'-8"

NOTE: CONTRACTOR MAY ELECT TO PRE-ASSEMBLE TOP AND BOTTOM RAMP PLANKS ONTO STEEL SLEEPERS BY INSTALLATION OF 1" SLEEPER THRU-BOLTS AND THEN SET THIS PRE-ASSEMBLED 'FRAMEWORK' ONTO THE RAMP SURFACE CONSISTING OF COMPACTED BASE COURSE LEVEL TO GRADE AT THE BOTTOM OF THE STEEL SLEEPERS. BASE COURSE WOULD THEN BE PLACED BENEATH THE BOTTOM RAMP PLANK BY 'CHINKING' MATERIAL BENEATH IT AND THE TOP PLANK WOULD BE TEMPORARILY REMOVED TO PLACE BASE COURSE TO THE TOP OF THE SLEEPER BENEATH IT AND THEN ALONG THE REST OF THE LENGTH OF THE SLEEPERS. THE REMAINING RAMP PLANKS WOULD THEN BE INSTALLED WITH CONNECTION PLATES AS SHOWN ON THE PLANS. IF AN ALTERNATE PLACEMENT METHOD IS USED, 1" RECESSED HOLES AND THRU-BOLTS MAY NOT BE REQUIRED.

65% DESIGN REVIEW SUBMITTAL



REVISIONS					
REV.	DATE	DESCRIPTION	DWN.	CKD.	APP.



9360 Glacier Highway Ste 100
Juneau, Alaska 99801
Phone: 907-586-2093
Fax: 907-586-2099
www.pndengineers.com

DESIGN: BMI CHECKED: CRS
DRAWN: BMI APPROVED: _____

SCALE: NTS

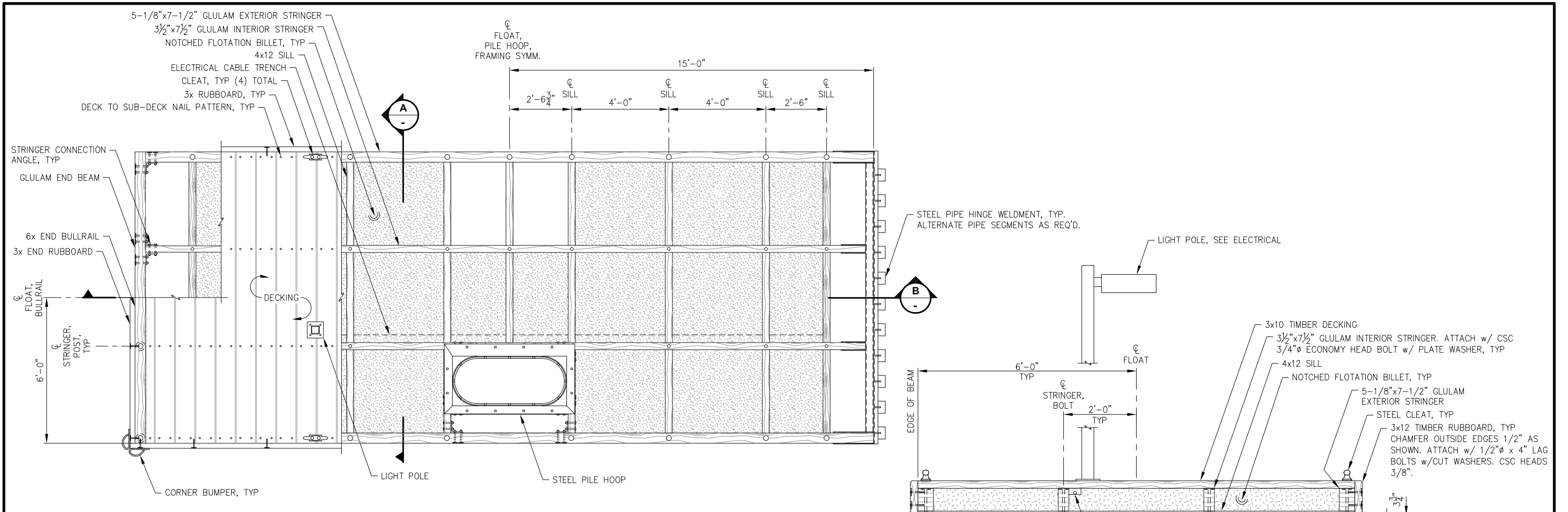
DATE: MAR. 25, 2022

**SKAGWAY SMALL BOAT HARBOR
BOAT LAUNCH EXTENSION**

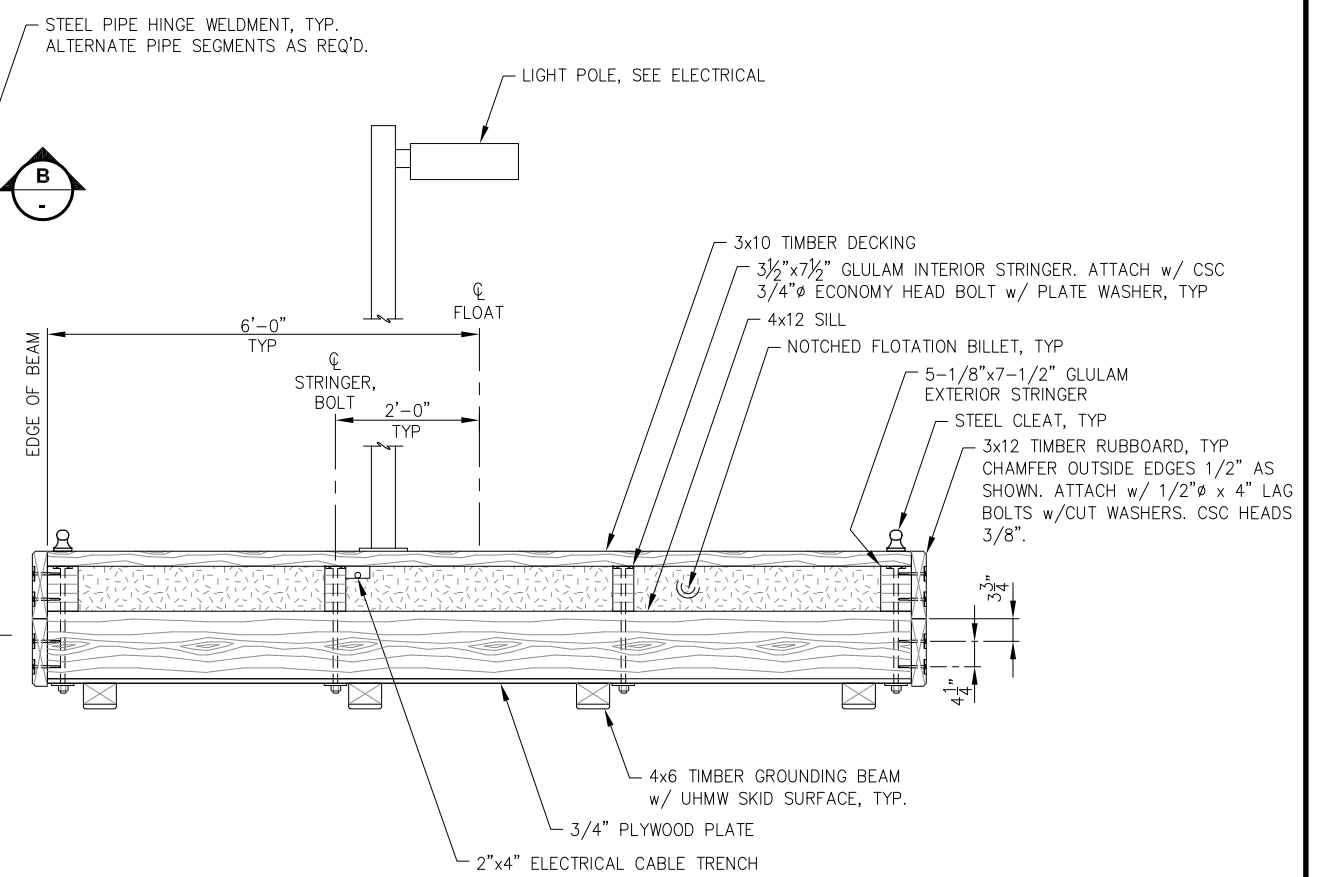
SHEET TITLE: **BOAT LAUNCH RAMP
PLANK AND SLEEPER DETAILS**

PND PROJECT NO.: 212081 C.A.N.: AECC250

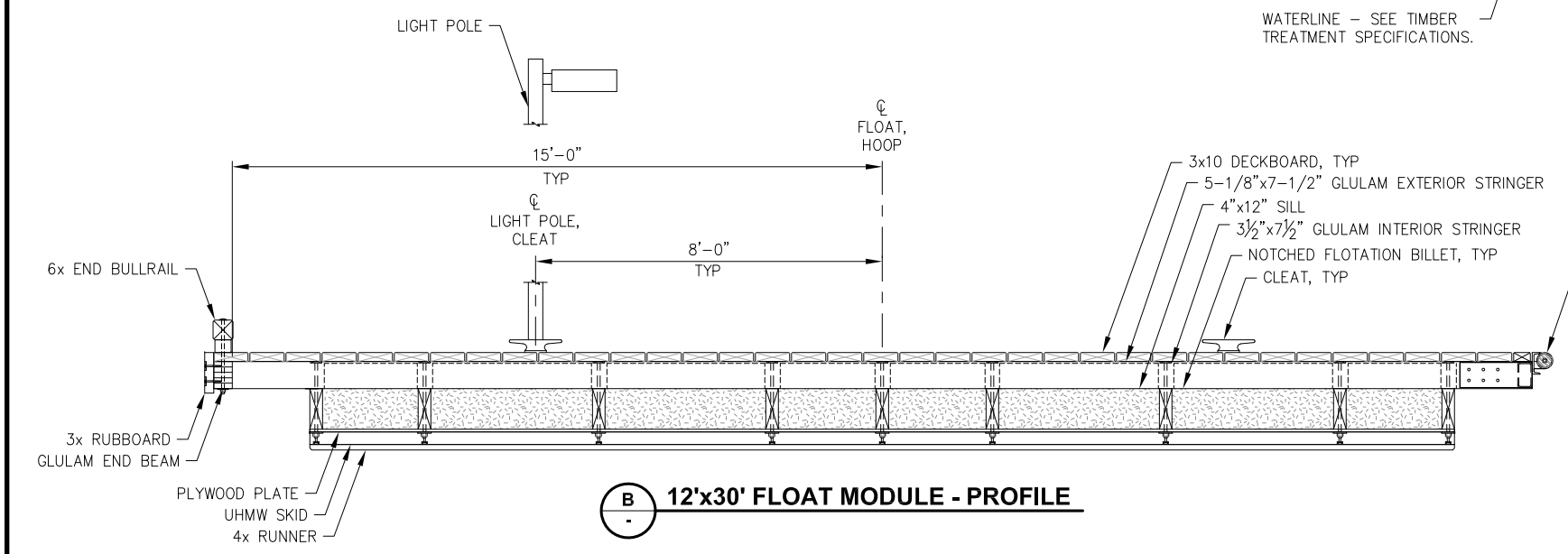
6
6 of 10



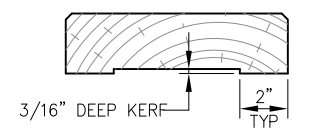
12'x30' FLOAT MODULE - PLAN



12'x30' FLOAT MODULE - SECTION



12'x30' FLOAT MODULE - PROFILE



3x DECKBOARD

NOTES: PREDRILL DECKING TO PREVENT SPLITTING PER AITC STANDARDS. FASTEN w/ 8 GA. 40d HDG SPIRAL SHANK NAILS AS SHOWN ON PLAN.

WATERLINE - SEE TIMBER TREATMENT SPECIFICATIONS.

65% DESIGN REVIEW SUBMITTAL



REVISIONS					
REV.	DATE	DESCRIPTION	DWN.	CKD.	APP.

P | N | D
ENGINEERS, INC.

9360 Glacier Highway Ste 100
Juneau, Alaska 99801
Phone: 907-586-2093
Fax: 907-586-2099
www.pndengineers.com

DESIGN: BMI CHECKED: CRS SCALE: NTS
DRAWN: BMI APPROVED: _____

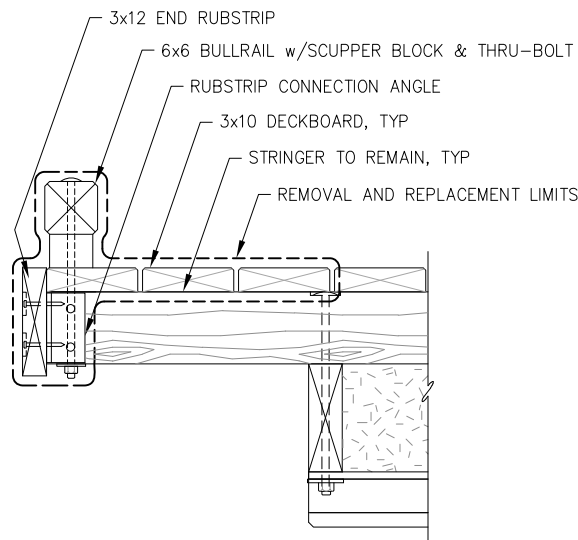
DATE: MAR. 25, 2022

**SKAGWAY SMALL BOAT HARBOR
BOAT LAUNCH EXTENSION**

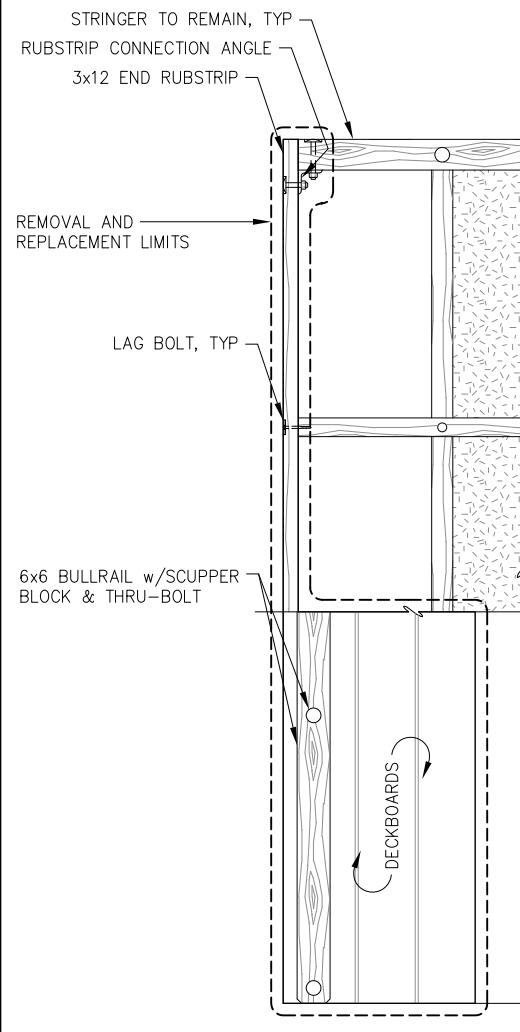
SHEET TITLE:
BOARDING FLOAT DETAILS

PND PROJECT NO.: 212081 C.A.N.: AECC250

7
7 of 10

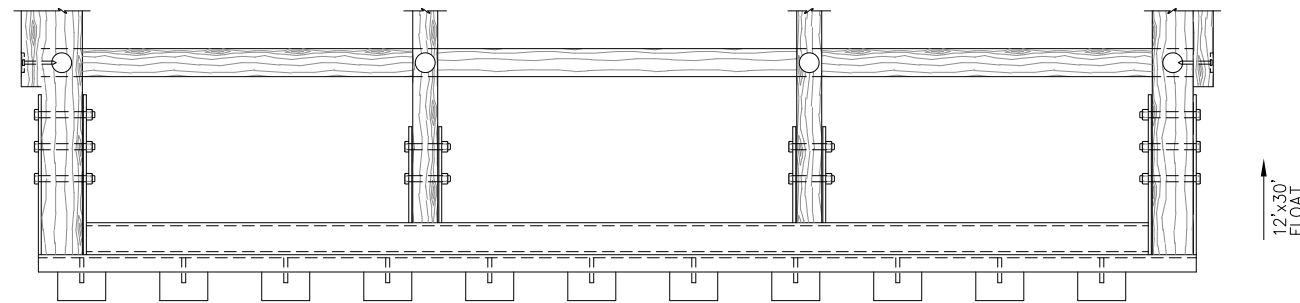


EXISTING END FLOAT MODIFICATIONS - SECTION

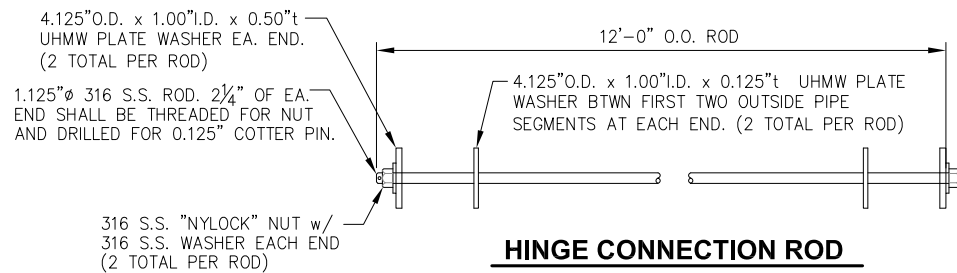


EXISTING END FLOAT MODIFICATIONS - PLAN

NOTE: REMOVE EXISTING BULLRAIL, SCUPPER BLOCKS, DECKBOARDS, END RUBSTRIP AND ATTACHMENT HARDWARE AS SHOWN. INSTALL TREATED DOWELS THRU EMPTY BOLT HOLES IN STRINGERS TO REMAIN. FIELD DRILL AND TREAT HOLES IN STRINGERS FOR NEW HINGE WELDMENT BOLTS AND INSTALL NEW HINGE WELDMENT. PROVIDE AND INSTALL (4) NEW 3x10 DECKBOARDS AS SHOWN.



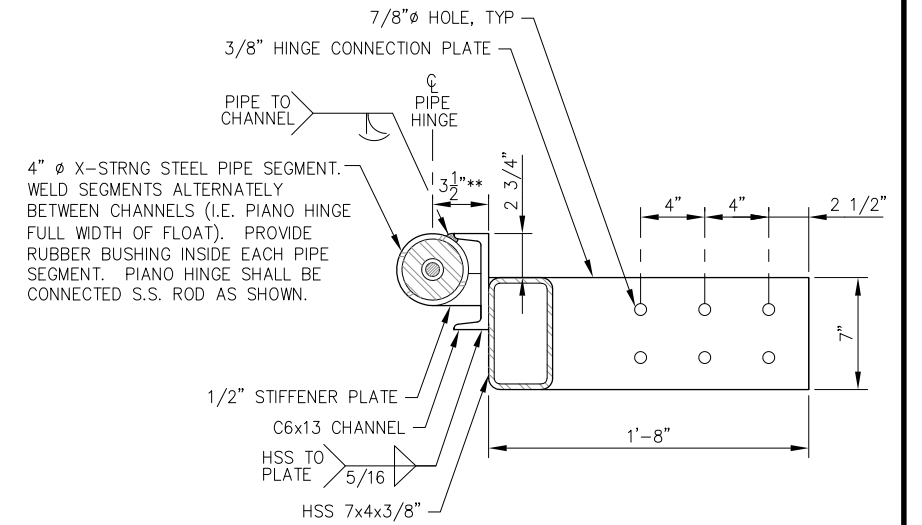
HINGE CONNECTION - PLAN



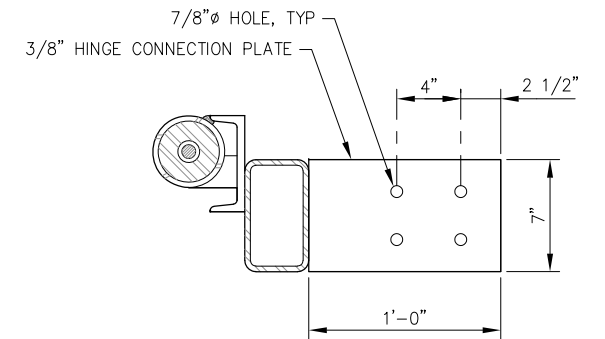
HINGE CONNECTION ROD

NOTE: FABRICATOR TO DRY-FIT HINGE ASSEMBLIES PRIOR TO APPLICATION OF COATINGS TO ENSURE HINGE MOVES FREELY AND DOES NOT BIND. ** DIMENSION ASSUMED TO BE MINIMUM OF 3 1/2". FABRICATOR SHALL VERIFY DIMENSION REQ'D FOR TOP OF PIPE SEGMENT TO BE FLUSH WITH TOP OF ANGLE, AND WELDED AS SHOWN. ALSO, PIPE SEGMENT SHALL HAVE MINIMUM CLEARANCE BETWEEN IT AND THE ANGLE OF 3/8" SUCH THAT WHEN ASSEMBLED, HINGE PIPE SEGMENTS DO NOT RUB AGAINST EDGE OF ANGLE TOP LEG. (I.E. AVOID NON-SKID COATING BEING WORE OFF AFTER INSTALLATION.)

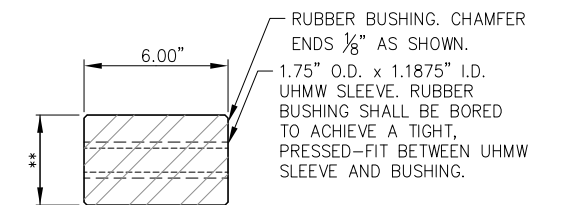
12'-30" FLOAT



A HINGE CONNECTION - SECTION AT EXTERIOR STRINGER



B HINGE CONNECTION - SECTION AT INTERIOR STRINGER
DETAILS NOT SHOWN SIMILAR TO SECTION A



HINGE CONNECTION RUBBER BUSHING

**SEE SPECIFICATIONS FOR DIAMETER REQUIREMENTS

65% DESIGN REVIEW SUBMITTAL



REVISIONS					
REV.	DATE	DESCRIPTION	DWN.	CKD.	APP.



ENGINEERS, INC.

9360 Glacier Highway Ste 100
Juneau, Alaska 99801
Phone: 907-586-2093
Fax: 907-586-2099
www.pndengineers.com

DESIGN: BMI CHECKED: CRS
DRAWN: BMI APPROVED: _____

SCALE: NTS

DATE: MAR. 25, 2022

**SKAGWAY SMALL BOAT HARBOR
BOAT LAUNCH EXTENSION**

SHEET TITLE:

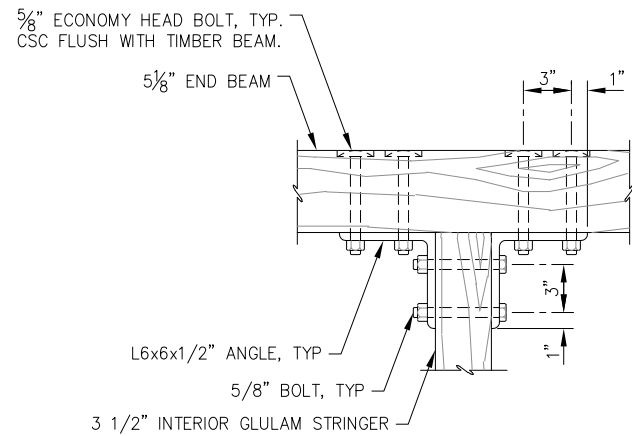
BOARDING FLOAT DETAILS

8

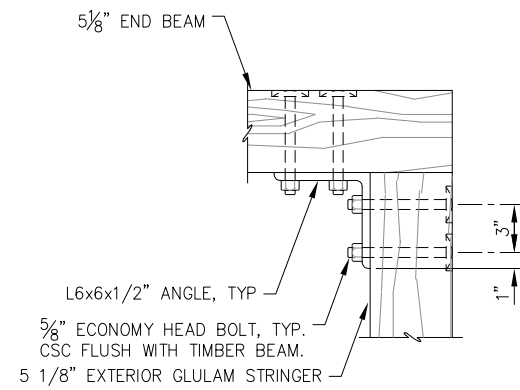
PND PROJECT NO.: 212081

C.A.N.: AECC250

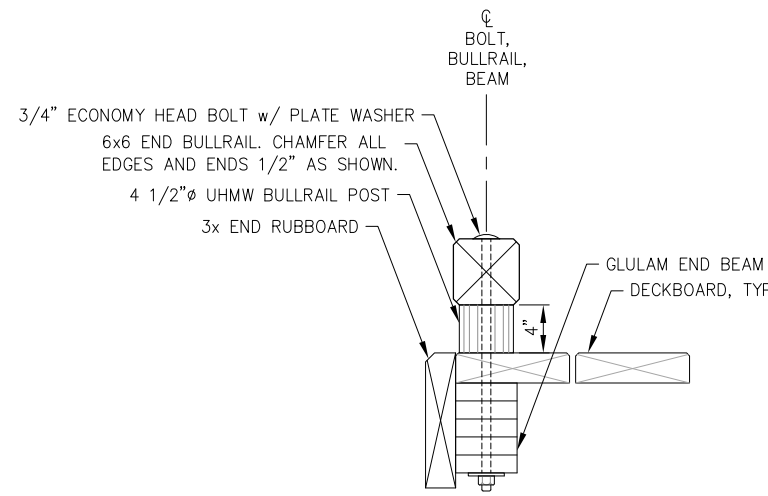
8 of 10



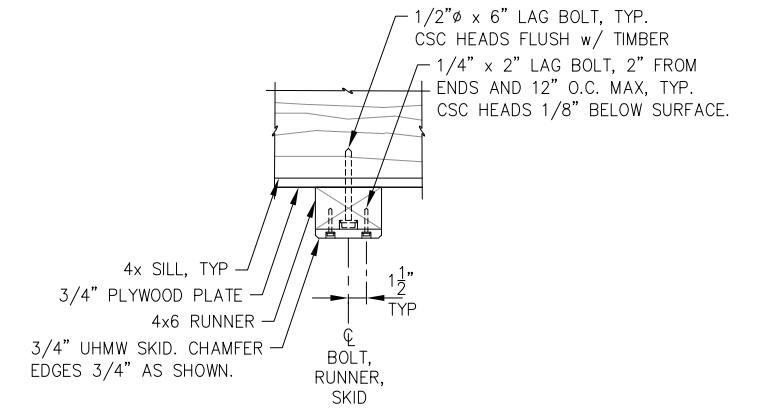
INTERIOR STRINGER CONNECTION - PLAN



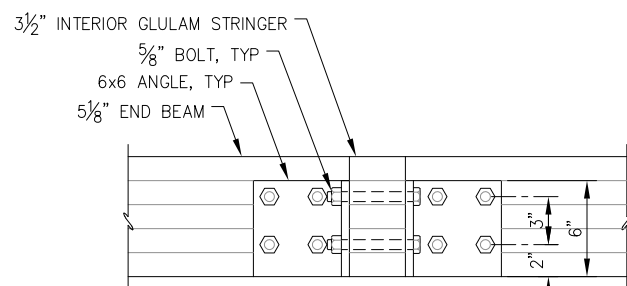
EXTERIOR STRINGER CONNECTION - PLAN



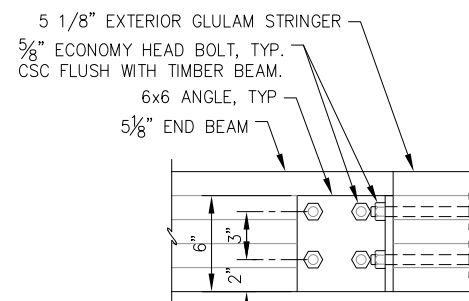
END BULLRAIL - SECTION



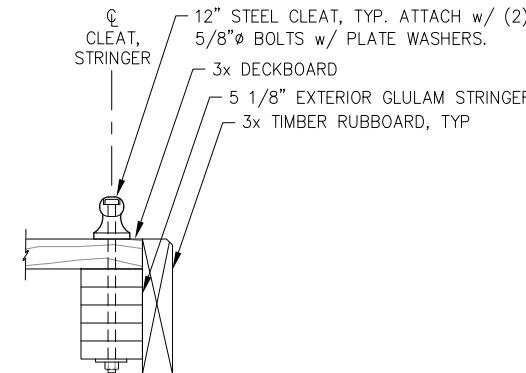
SKID - TYPICAL SECTION



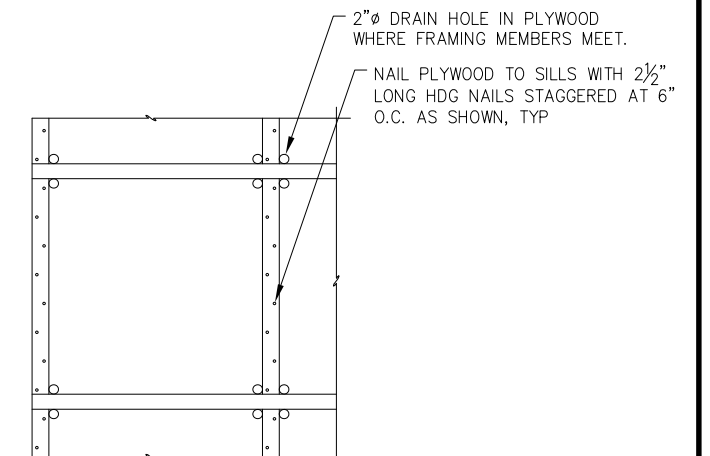
INTERIOR STRINGER CONNECTION - PROFILE



EXTERIOR STRINGER CONNECTION - PROFILE



CLEAT - SECTION



PLYWOOD PLATE - PLAN

NOTE: OMIT PLYWOOD PLATE BETWEEN FRAMING AT PILE HOOP.

65% DESIGN REVIEW SUBMITTAL



REVISIONS					
REV.	DATE	DESCRIPTION	DWN.	CKD.	APP.



ENGINEERS, INC.

9360 Glacier Highway Ste 100
Juneau, Alaska 99801
Phone: 907-586-2093
Fax: 907-586-2099
www.pndengineers.com

DESIGN: BMI CHECKED: CRS
DRAWN: BMI APPROVED: _____

SCALE: NTS

DATE: MAR. 25, 2022

**SKAGWAY SMALL BOAT HARBOR
BOAT LAUNCH EXTENSION**

SHEET TITLE:

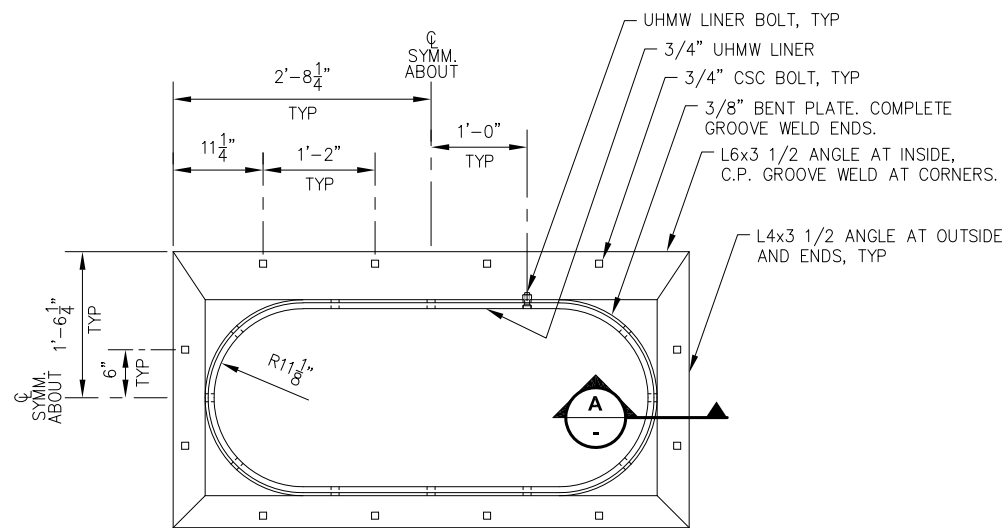
BOARDING FLOAT DETAILS

PND PROJECT NO.: 212081

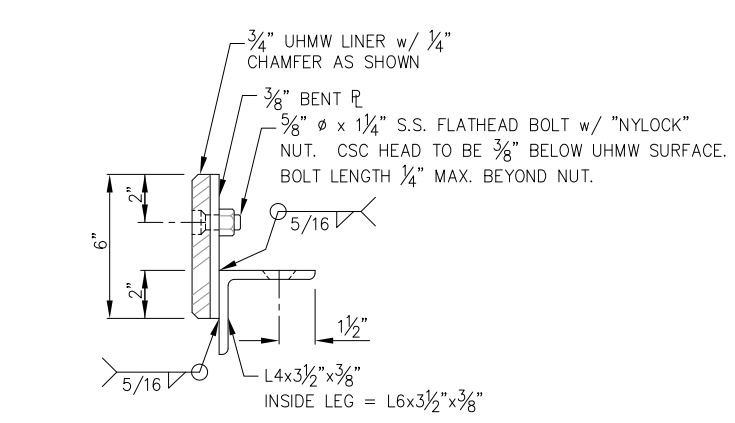
C.A.N.: AECC250

9

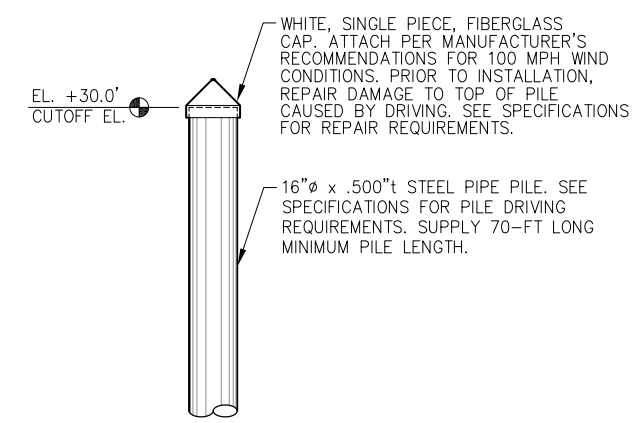
9 of 10



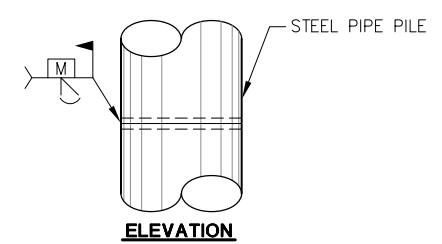
PILE HOOP - PLAN



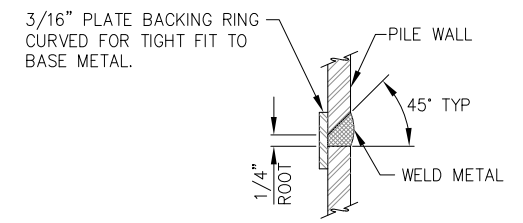
PILE HOOP - TYPICAL SECTION



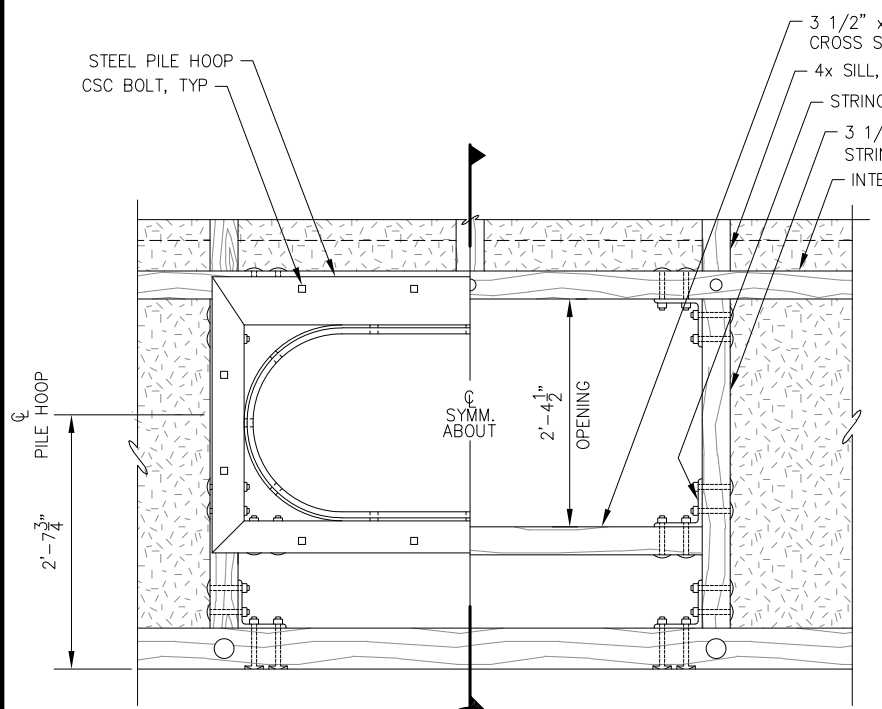
PILE INSTALLATION DETAIL



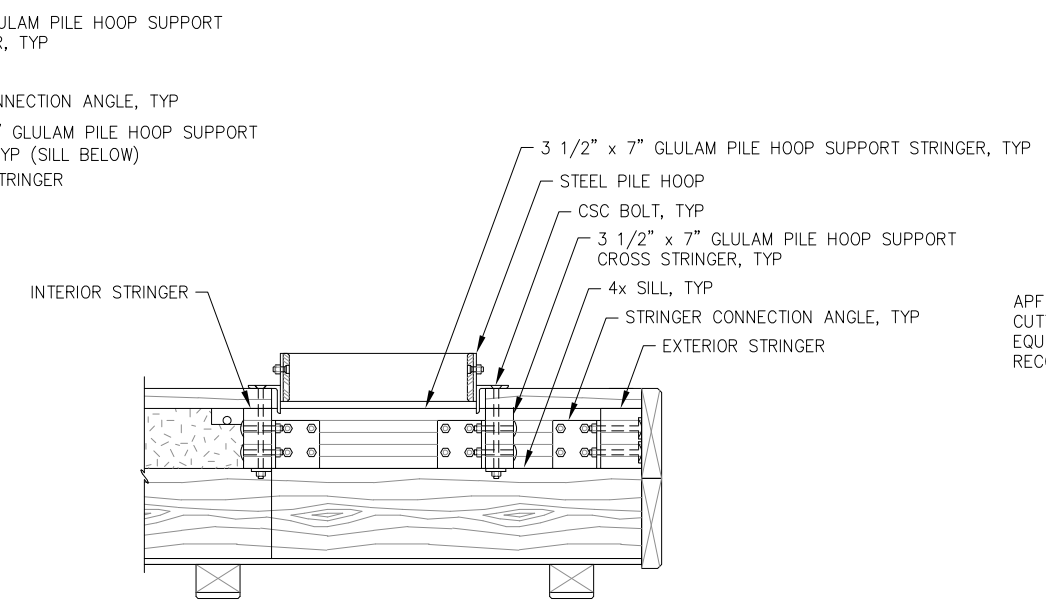
ELEVATION



TYPICAL PILE SPLICE WELD
(TYPICAL FOR ALL PIPE PILE SPLICES)



PILE HOOP FRAMING - PLAN



PILE HOOP FRAMING - TYPICAL SECTION

65% DESIGN REVIEW SUBMITTAL



REVISIONS					
REV.	DATE	DESCRIPTION	DWN.	CKD.	APP.

PND
ENGINEERS, INC.

9360 Glacier Highway Ste 100
Juneau, Alaska 99801
Phone: 907-586-2093
Fax: 907-586-2099
www.pndengineers.com

DESIGN: BMI CHECKED: CRS SCALE: NTS
DRAWN: BMI APPROVED: _____

DATE: MAR. 25, 2022

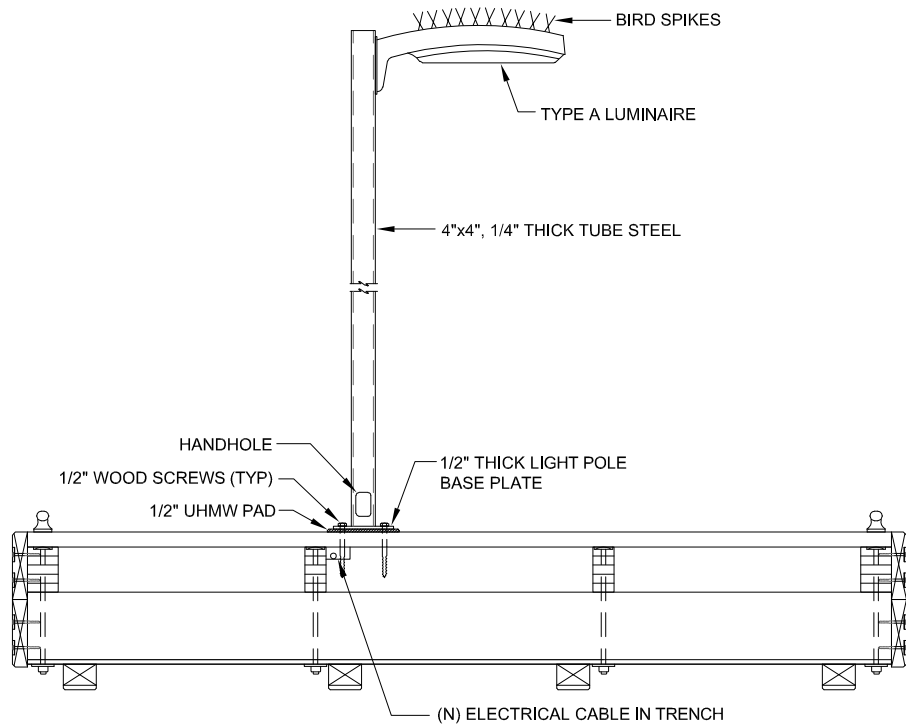
**SKAGWAY SMALL BOAT HARBOR
BOAT LAUNCH EXTENSION**

SHEET TITLE:
BOARDING FLOAT AND PILE DETAILS

PND PROJECT NO.: 212081 C.A.N.: AECC250

10
10 of 10

Plotted 3/25/2022 11:38 AM by Peggy Leslie N:\PROJECTS\H137 - PND\140 SKAGWAY BOAT RAMP\DRAWINGS\WORKING\11.DWG



1 DETAIL - FLOAT MODULE LIGHT POLE

LEGEND

ABBREVIATIONS:

- PE PHOTOELECTRIC CELL
- UGE UNDERGROUND ELECTRICAL
- UON UNLESS OTHERWISE NOTED

SHEET NOTE SYMBOLS:

- (E) EXISTING TO REMAIN
- (N) NEW

LIGHTING:

- EXTERIOR POLE MOUNTED LUMINAIRE

LUMINAIRE SCHEDULE

TYPE	DESCRIPTION	MANUFACTURER	LAMPS	REMARKS
A	POLE MOUNTED AREA LIGHT, DIE-CAST ALUMINUM HOUSING, TYPE III DISTRIBUTION, INTEGRAL ELECTRONIC DRIVER, 120V, 9780 LUMENS, PHOTOCELL, WHITE FINISH	GARDCO GL18-3-80LA-4853-NW-120-WP-PC	80W WHITE LED 4000K, CRI 85	PROVIDE LUMINAIRE WITH BIRD SPIKES.
POLE	12 FT x 4" SQ, SQUARE STEEL POLE, DRILLED FOR ONE, WHITE K-KLAD OVER GALVANIZED FINISH	KW INDUSTRIES SSP12-4.0-11-KZ81-DM10	-	

65% DESIGN REVIEW SUBMITTAL



Juneau, AK
528 Main St.
Juneau, AK 99801
Phone: 907.586.9788
Fax: 907.586.5774
AECC163270

REVISIONS					
REV.	DATE	DESCRIPTION	DWN.	CKD.	APP.



9360 Glacier Highway Ste 100
Juneau, Alaska 99801
Phone: 907-586-2093
Fax: 907-586-2099
www.pndengineers.com

DESIGN: KHD CHECKED: BCH
DRAWN: PEL APPROVED: _____

SCALE: SCALE IN FEET
0 20 40 FT.

DATE: MAR. 25, 2022

**SKAGWAY SMALL BOAT HARBOR
BOAT LAUNCH EXTENSION**

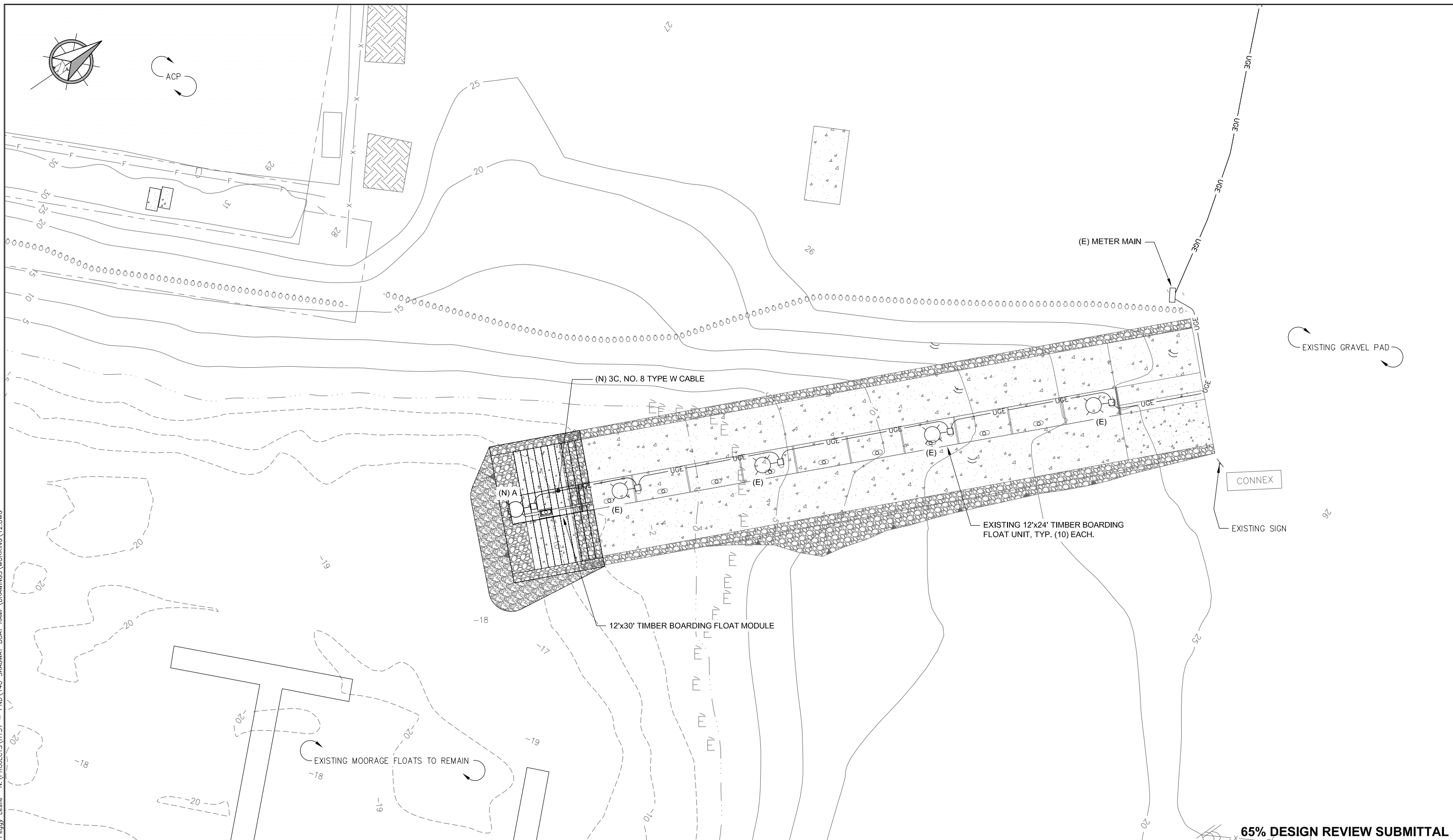
SHEET TITLE:
LEGEND, DETAIL, LUMINAIRE SCHEDULE

PND PROJECT NO.: 212081 C.A.N.: AECC250

E1

1 of 2

Plotted 3/25/2022 11:38 AM by Peggy Leslie N:\PROJECTS\H137 - PND\140 SKAGWAY BOAT RAMP\DRAWINGS\WORKING\12.DWG

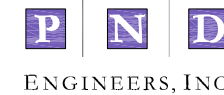


65% DESIGN REVIEW SUBMITTAL



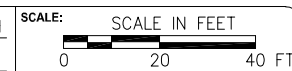
Juneau, AK
 528 Main St.
 Juneau, AK 99801
 Phone: 907.586.9788
 Fax: 907.586.5774
 AECC163270

REVISIONS					
REV.	DATE	DESCRIPTION	DWN.	CKD.	APP.



9360 Glacier Highway Ste 100
 Juneau, Alaska 99801
 Phone: 907-586-2093
 Fax: 907-586-2099
 www.pndengineers.com

DESIGN: KHD CHECKED: BCH
 DRAWN: PEL APPROVED: _____



DATE: MAR. 25, 2022

**SKAGWAY SMALL BOAT HARBOR
 BOAT LAUNCH EXTENSION**

SHEET TITLE:
ELECTRICAL SITE PLAN

E2

PND PROJECT NO.: 212081 C.A.N.: AECC250

2 of 2